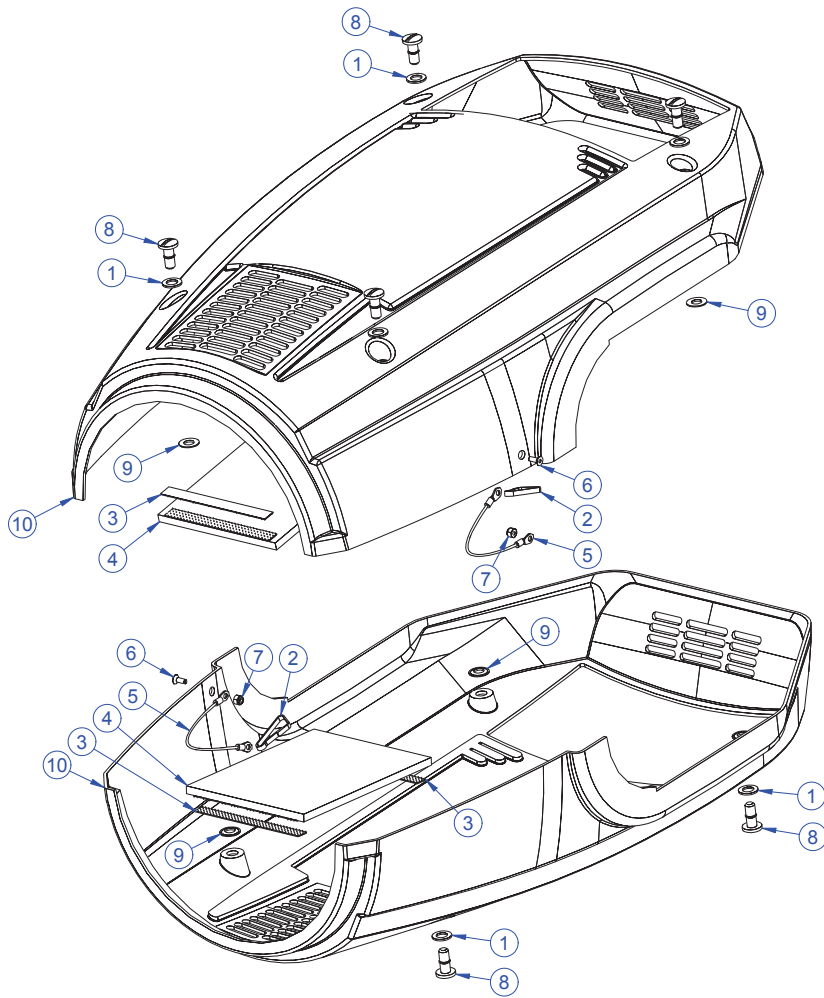
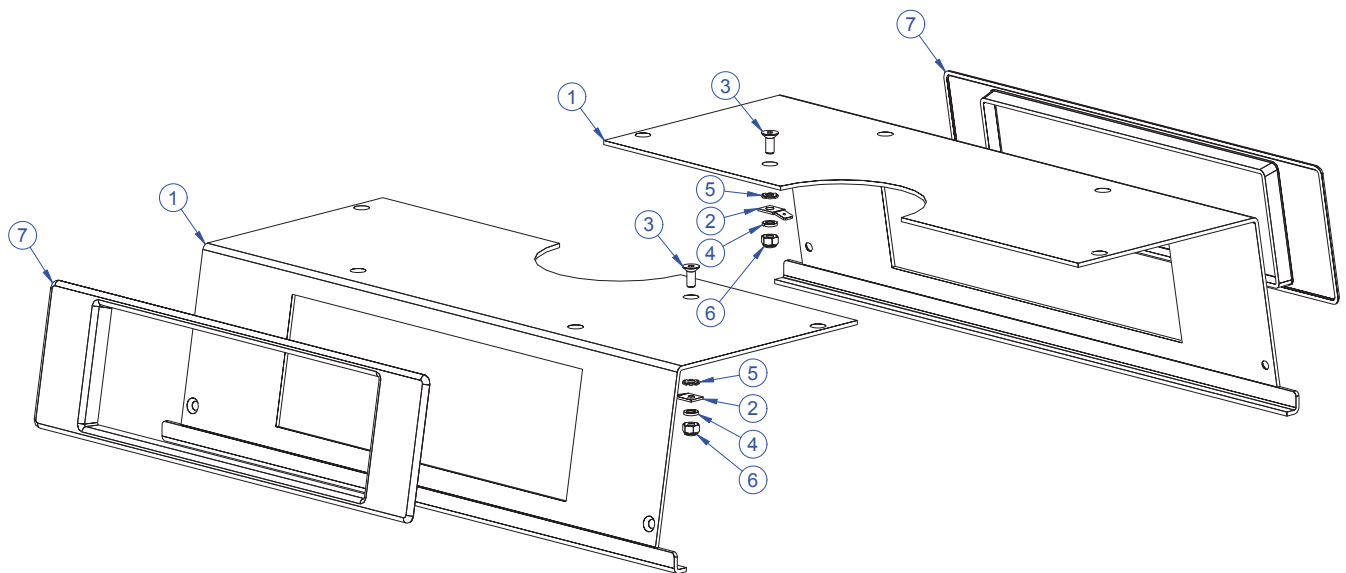


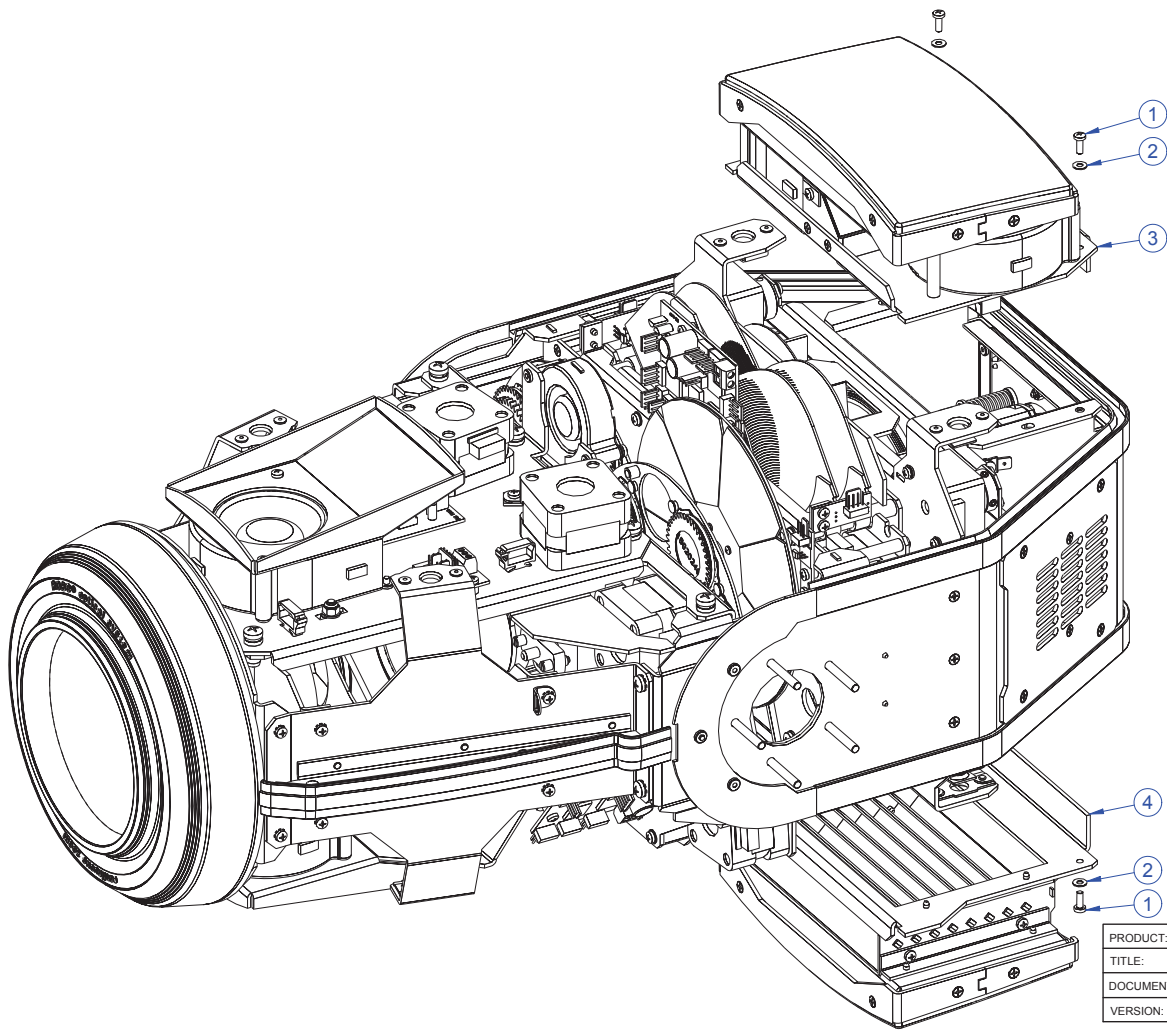
PRODUCT: Robin MMX Spot		
TITLE: Covers		
DOCUMENT: 99013296		
VERSION: 1	DATE: 16.07.2013	SHEET: 01 OF 39



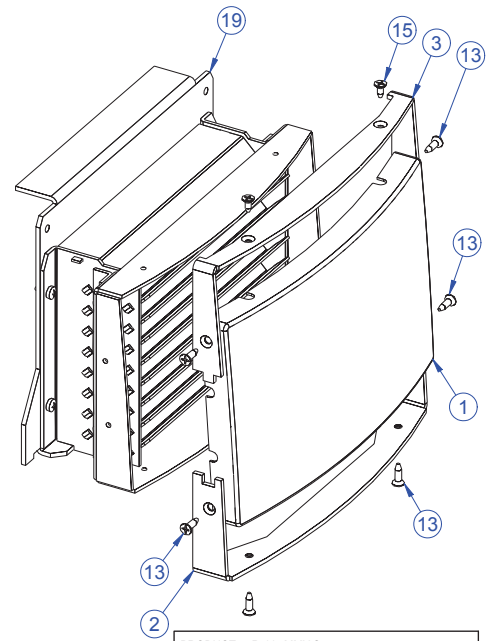
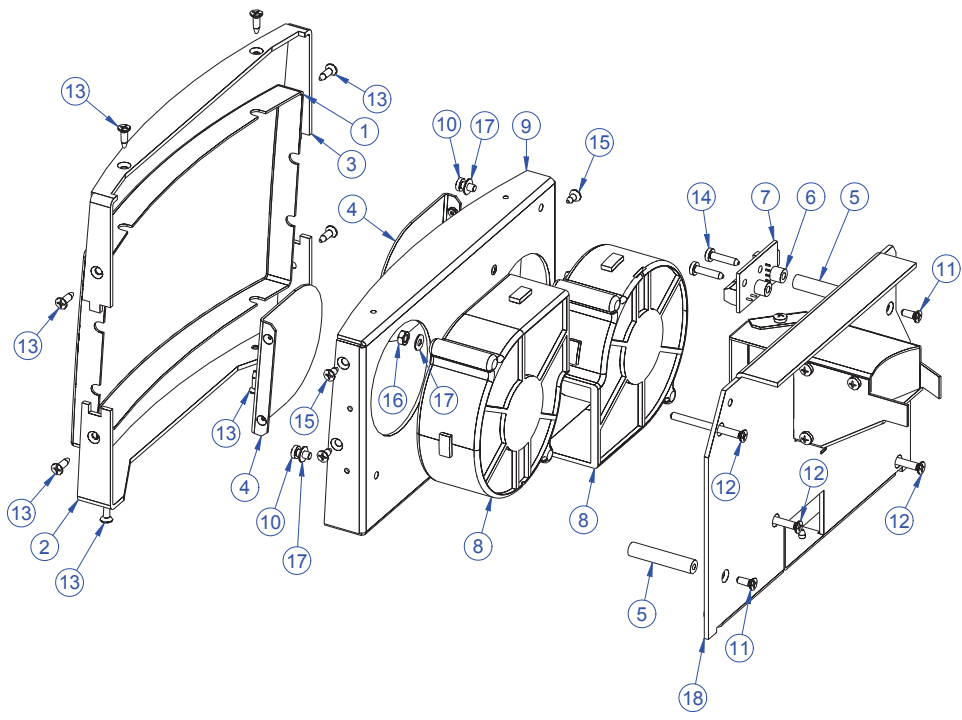
PRODUCT: Robin MMX Spot		
TITLE: Covers of head		
DOCUMENT: 99013296		
VERSION: 1	DATE: 16.07.2013	SHEET: 02 OF 39



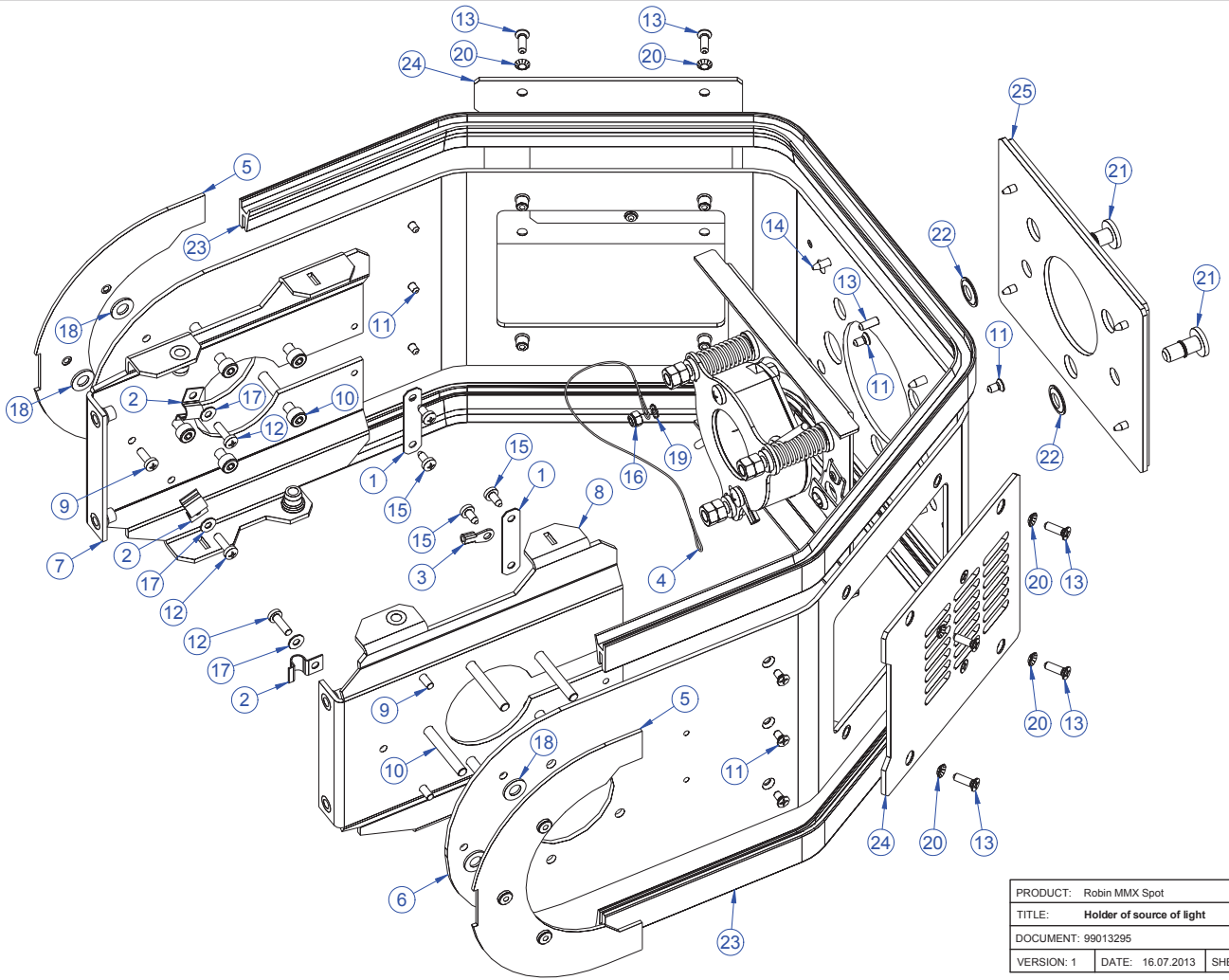
PRODUCT: Robin MMX Spot		
TITLE: Covers of base		
DOCUMENT: 99013230		
VERSION: 1	DATE: 16.09.2011	SHEET: 03 OF 39



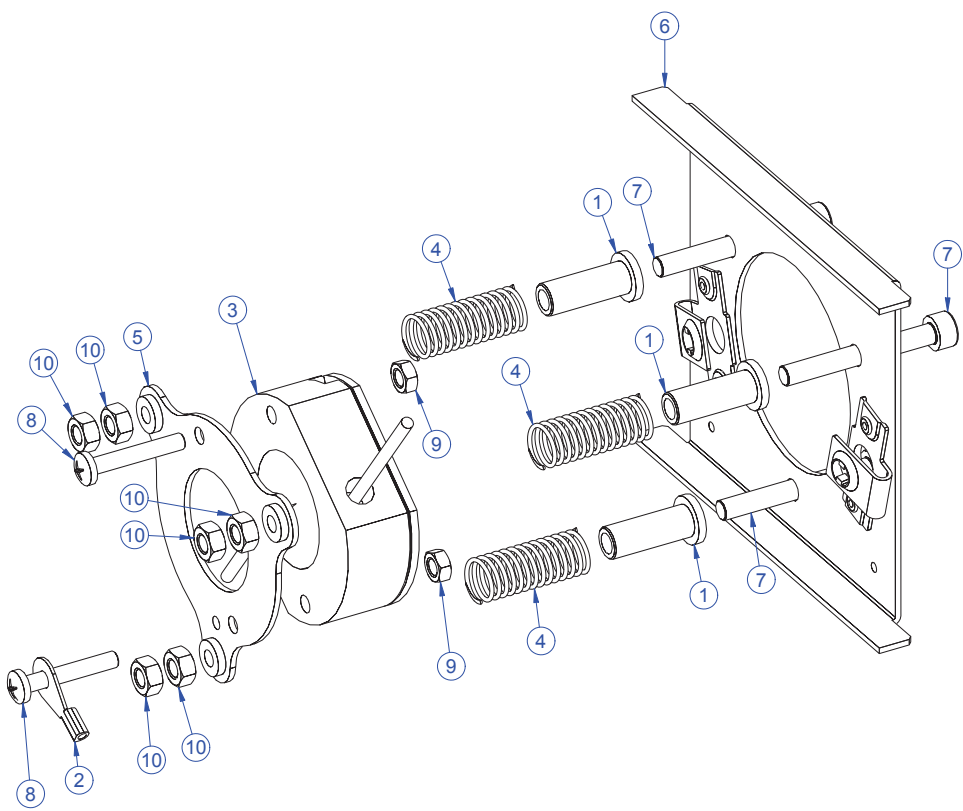
PRODUCT: Roblin MMX Spot		
TITLE: Assembly of head		
DOCUMENT: 99013295		
VERSION: 1	DATE: 16.07.2013	SHEET: 04 OF 39



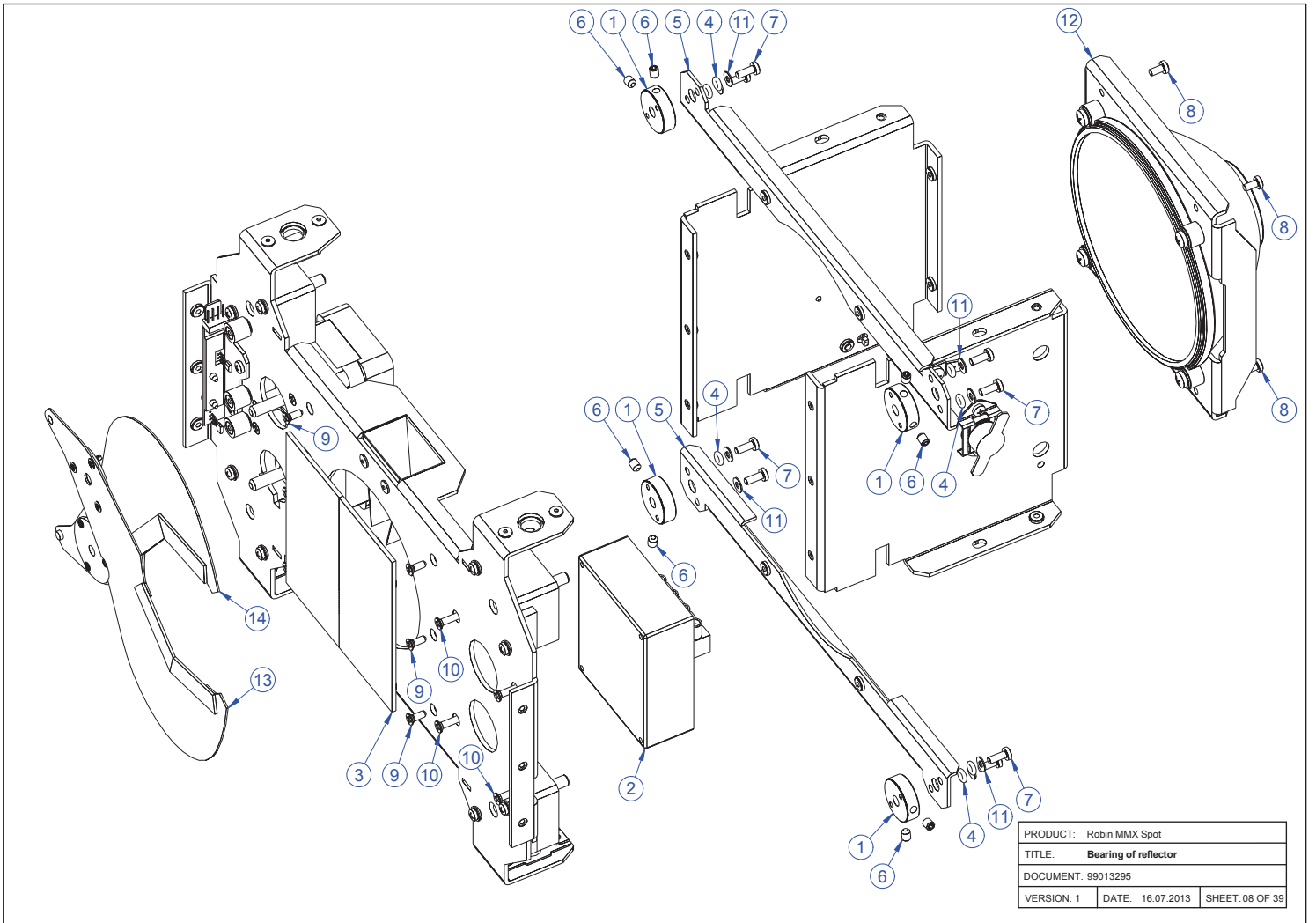
PRODUCT: Robin MMX Spot		
TITLE: Cooling modules - exploded		
DOCUMENT: 99013295		
VERSION: 1	DATE: 16.09.2011	SHEET: 05 OF 39



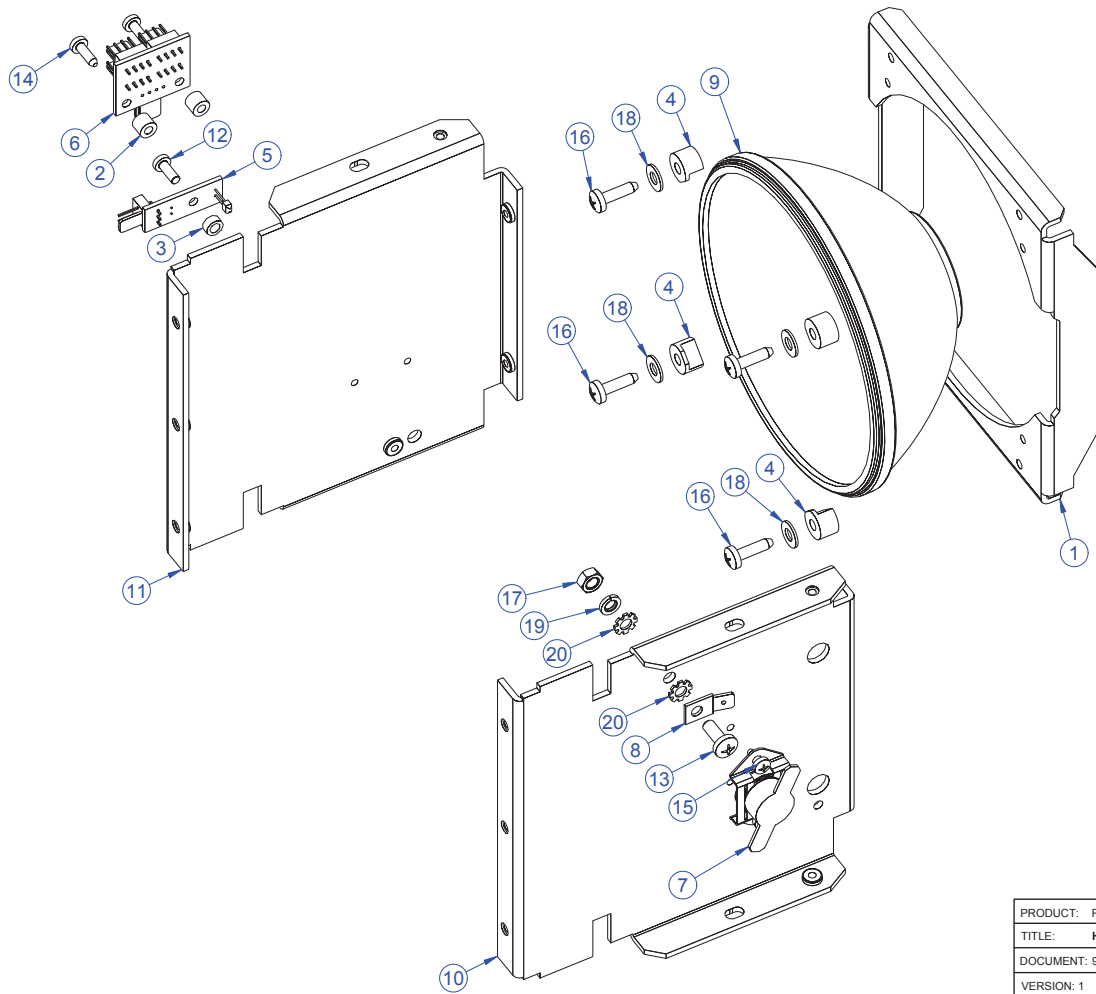
PRODUCT: Robin MMX Spot		
TITLE: Holder of source of light		
DOCUMENT: 99013295		
VERSION: 1	DATE: 16.07.2013	SHEET: 06 OF 39



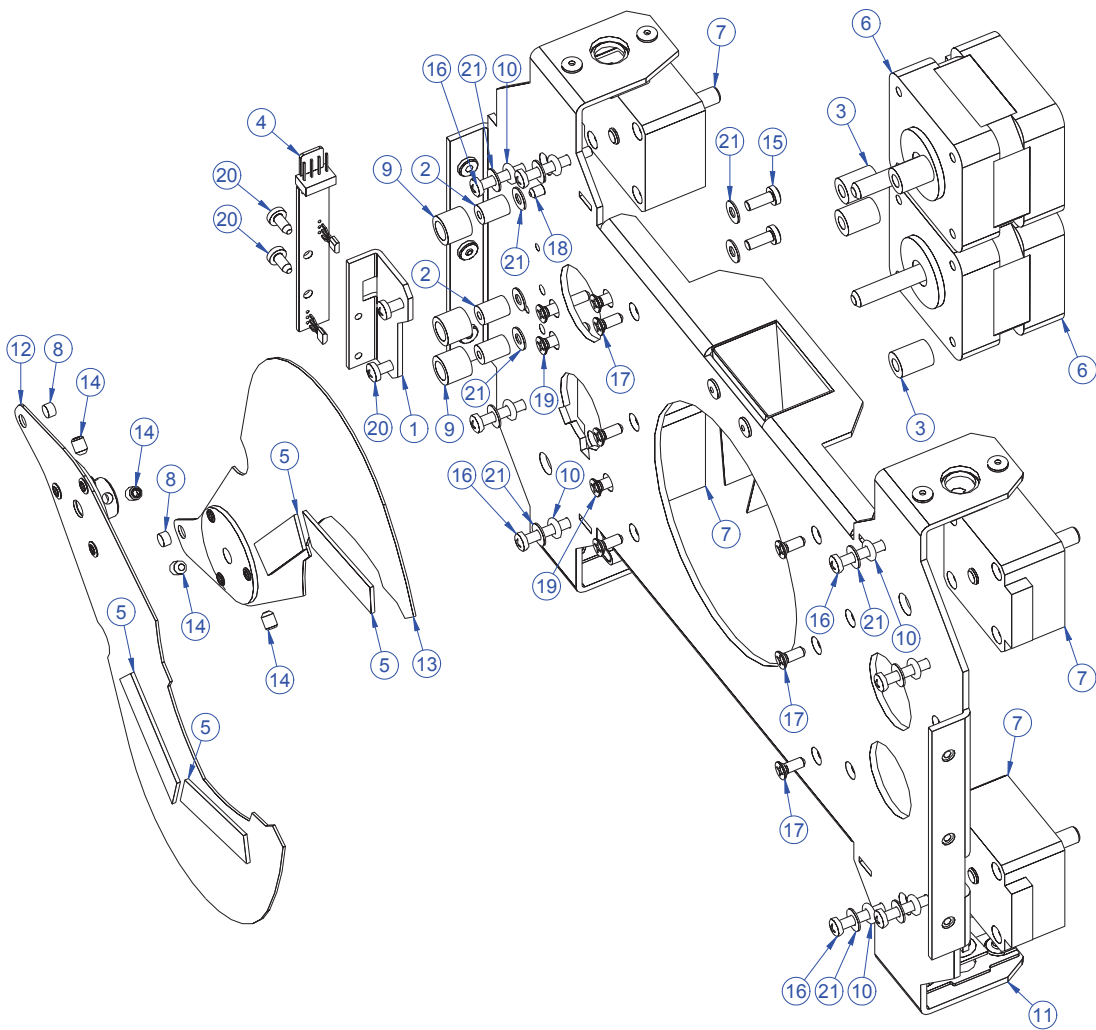
PRODUCT: Robin MMX Spot		
TITLE: Source of light - exploded		
DOCUMENT: 99013246		
VERSION: 1	DATE: 16.09.2011	SHEET: 07 OF 39



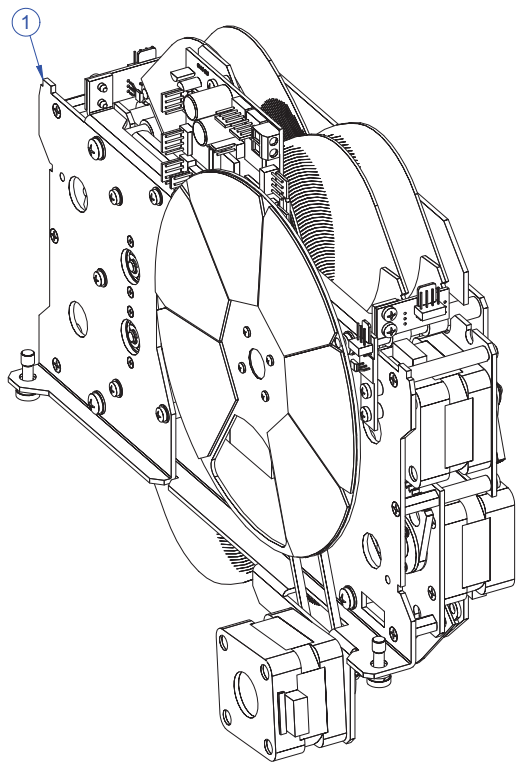
PRODUCT: Robin MMX Spot		
TITLE: Bearing of reflector		
DOCUMENT: 99013295		
VERSION: 1	DATE: 16.07.2013	SHEET: 08 OF 39



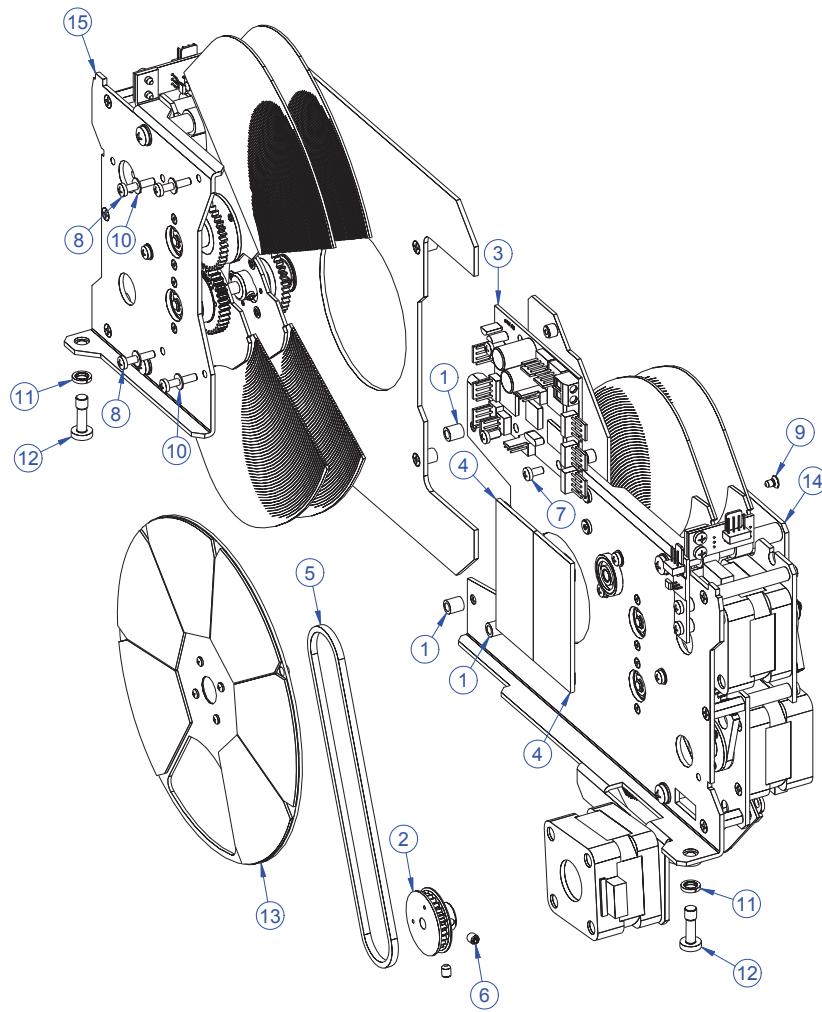
PRODUCT: Robin MMX Spot		
TITLE: Holder of reflector - exploded		
DOCUMENT: 99013295		
VERSION: 1	DATE: 16.07.2013	SHEET: 09 OF 39



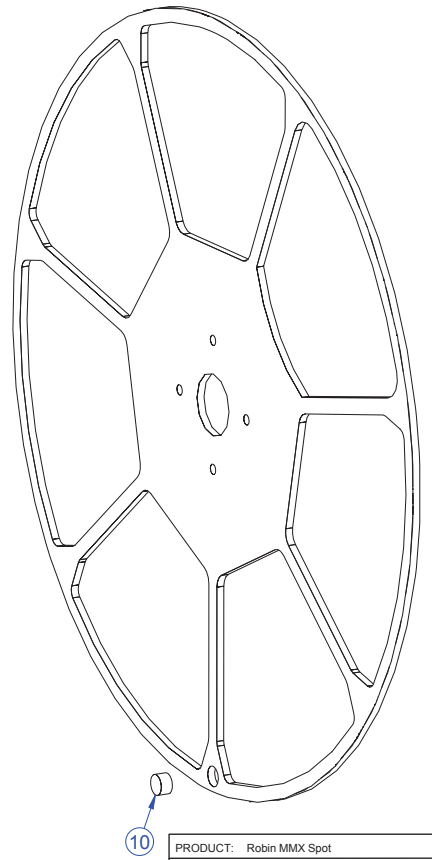
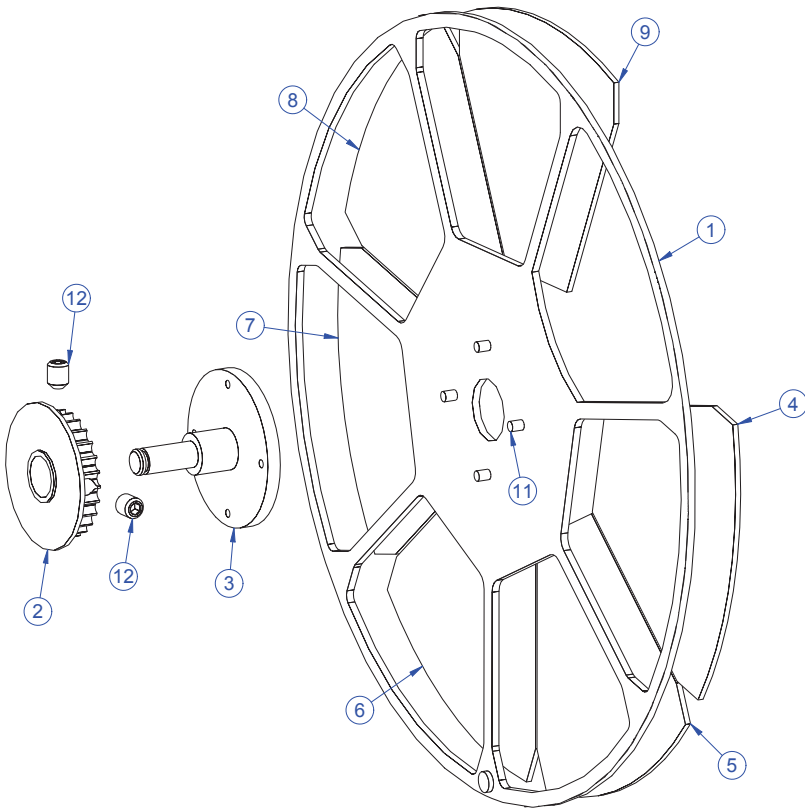
PRODUCT: Robin MMX Spot		
TITLE: Holder of lamelle		
DOCUMENT: 99013295		
VERSION: 1	DATE: 16.07.2013	SHEET: 10 OF 39



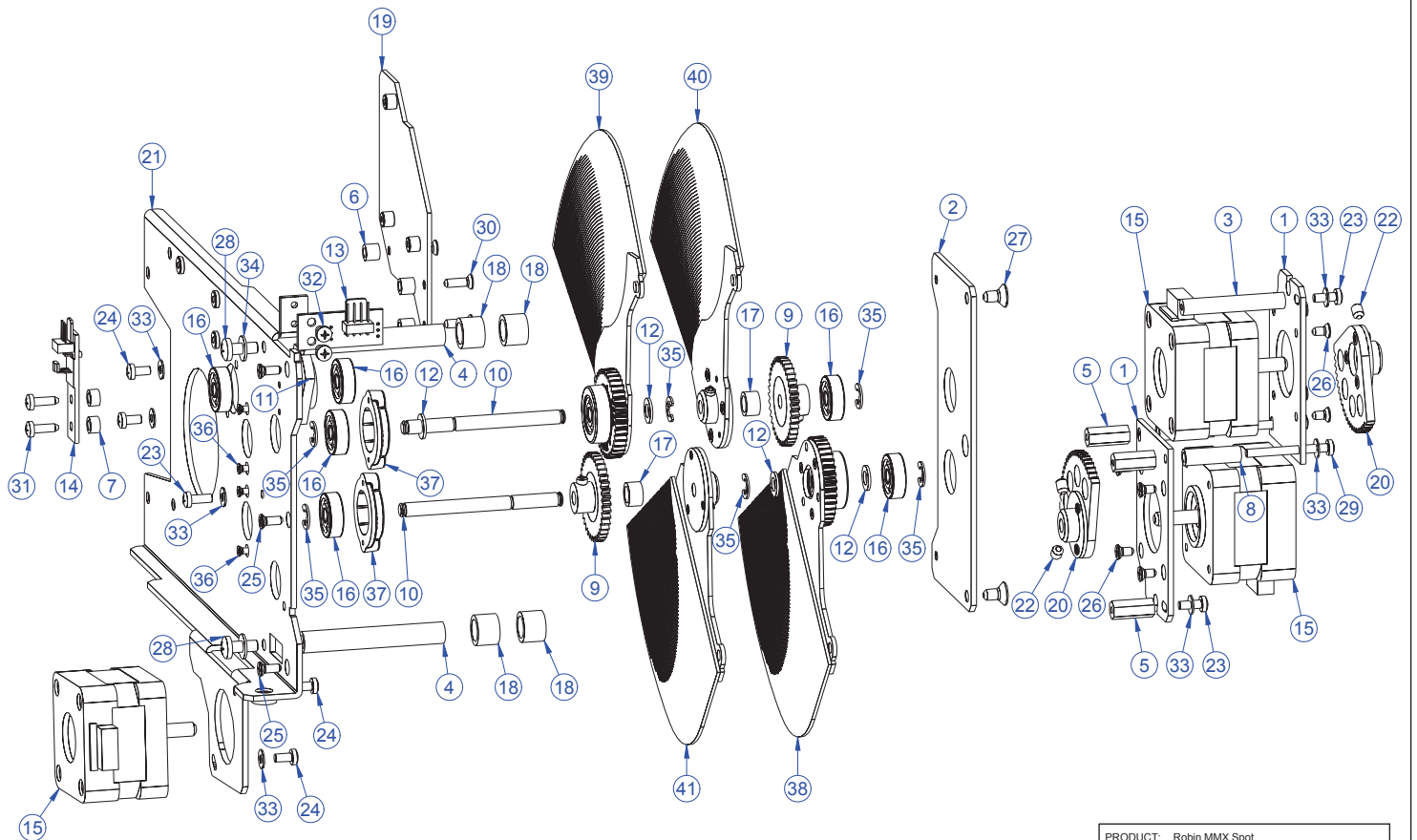
PRODUCT: Robin MMX Spot		
TITLE: CMY mixing system for MMX Spot		
DOCUMENT: 99013295		
VERSION: 1	DATE: 16.07.2013	SHEET: 11 OF 39



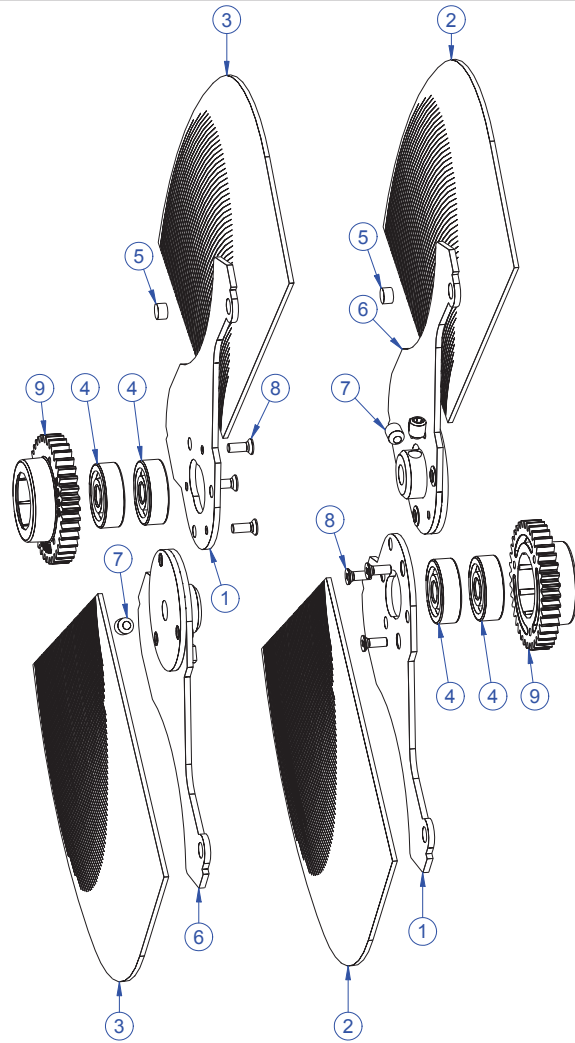
PRODUCT: Robin MMX Spot		
TITLE: CMY mixing system - exploded		
DOCUMENT: 99013625		
VERSION: 1	DATE: 16.07.2013	SHEET: 12 OF 39



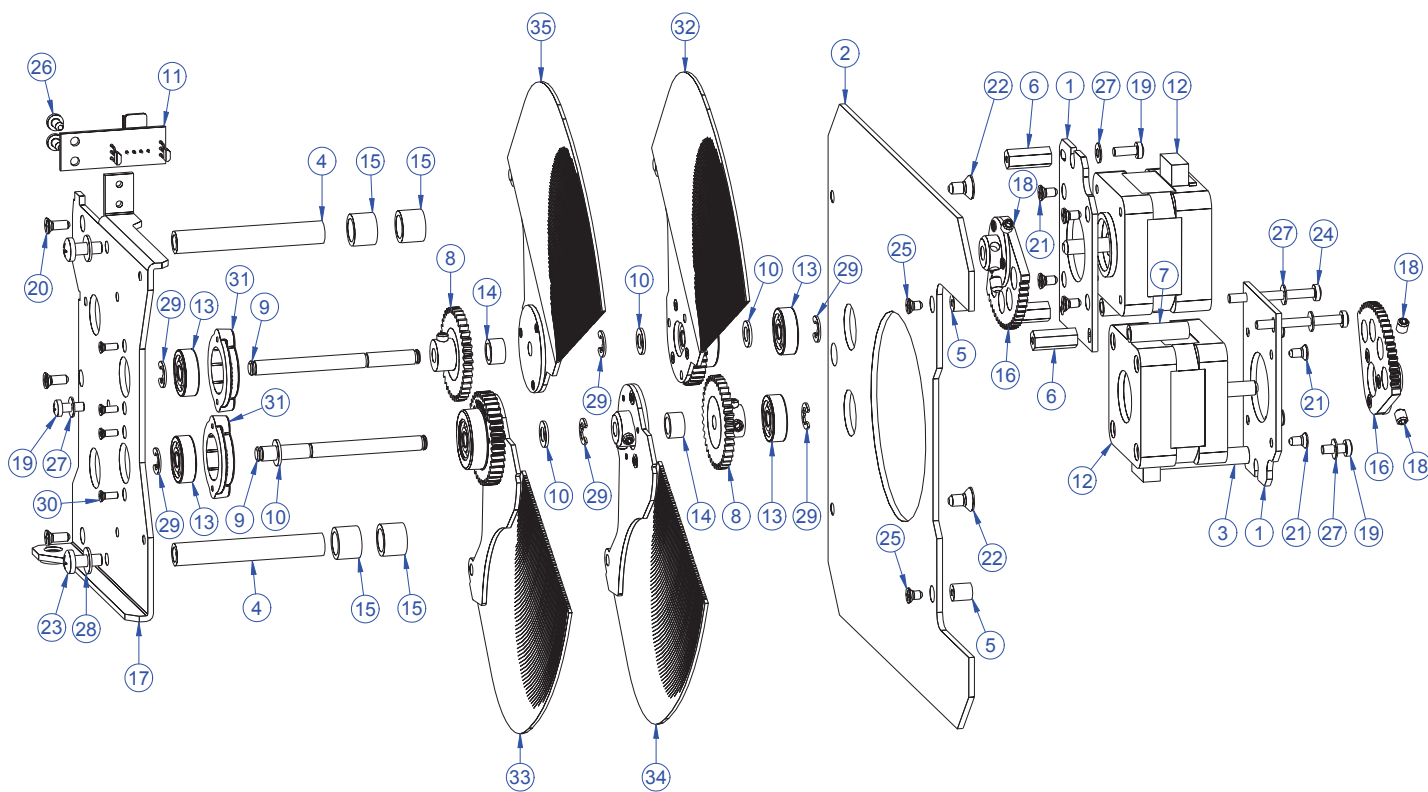
PRODUCT: Robin MMX Spot		
TITLE: Wheel Color 6+1 assembled		
DOCUMENT: 99013283		
VERSION: 1	DATE: 16.07.2013	SHEET: 13 OF 39



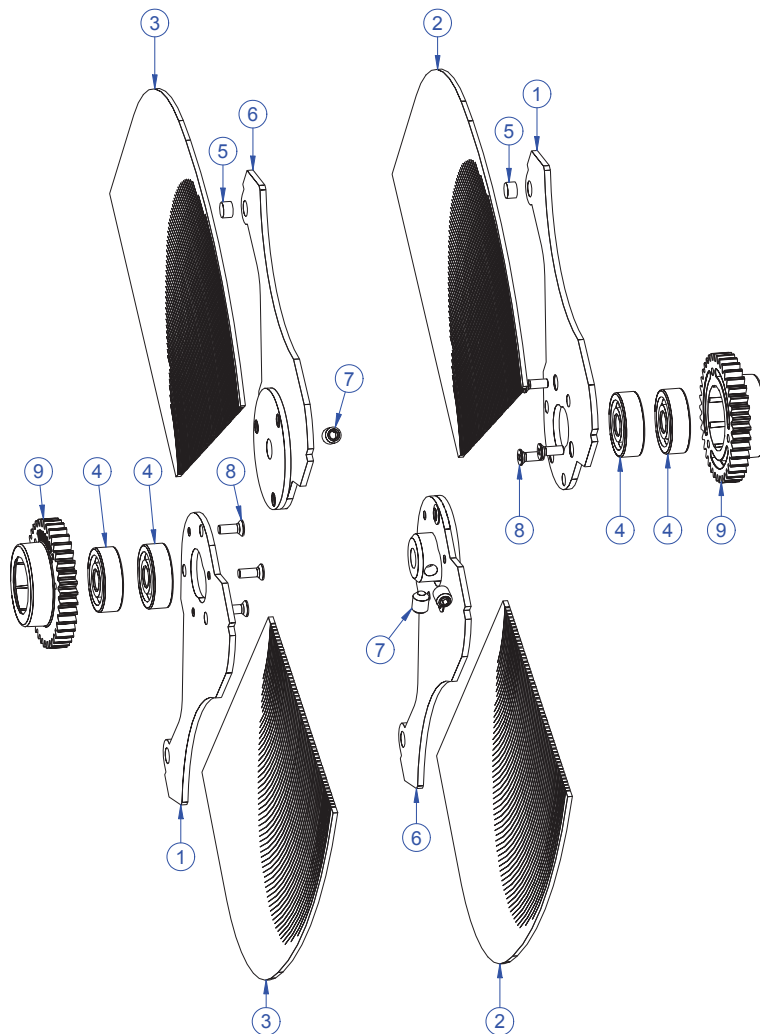
PRODUCT: Robin MMX Spot		
TITLE: Colouring module A		
DOCUMENT: 99013625		
VERSION: 1	DATE: 16.07.2013	SHEET: 14 OF 39



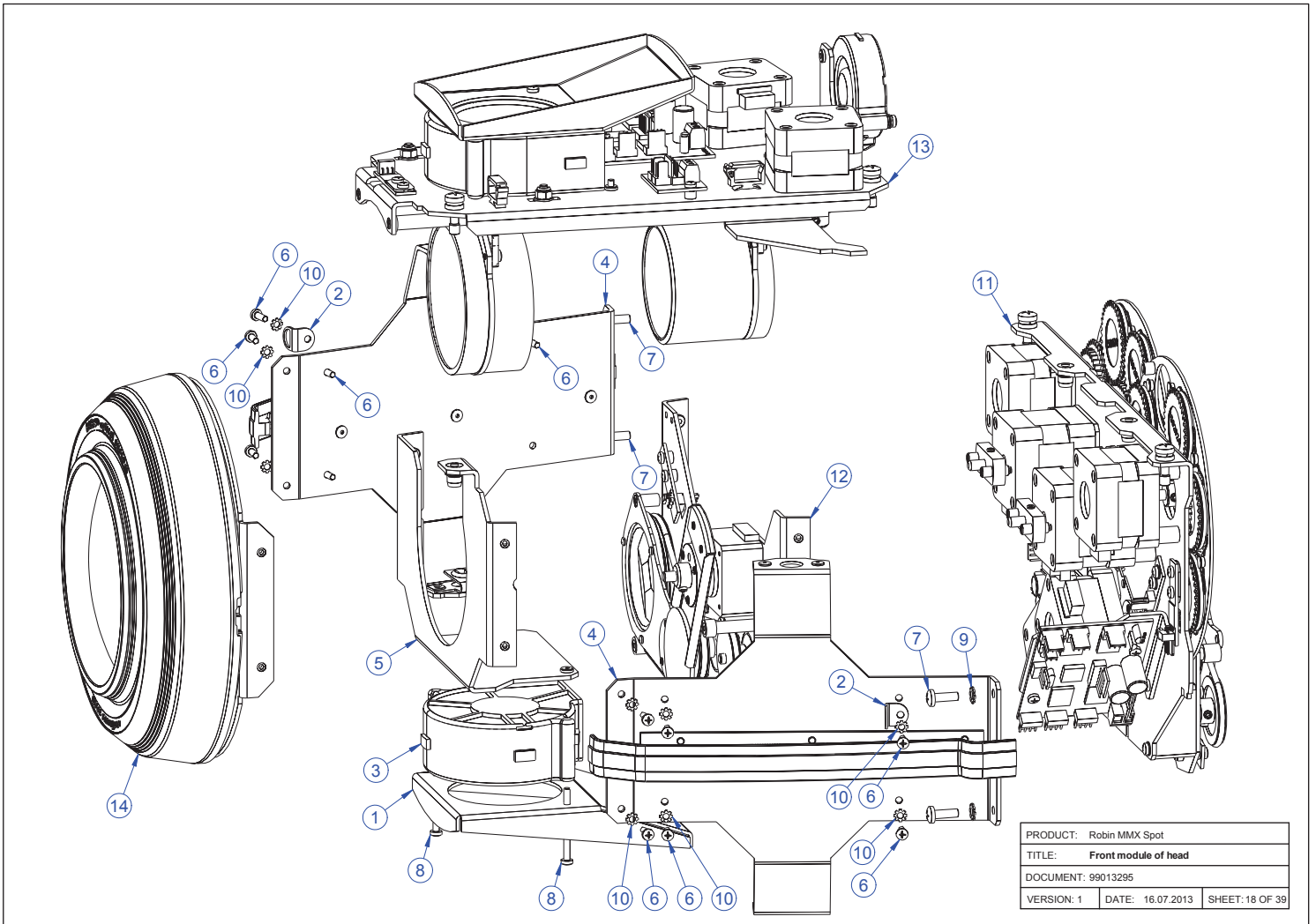
PRODUCT: Robin MMX Spot		
TITLE: Lamelle colouring A		
DOCUMENT: 99013625		
VERSION: 1	DATE: 16.07.2013	SHEET: 15 OF 39



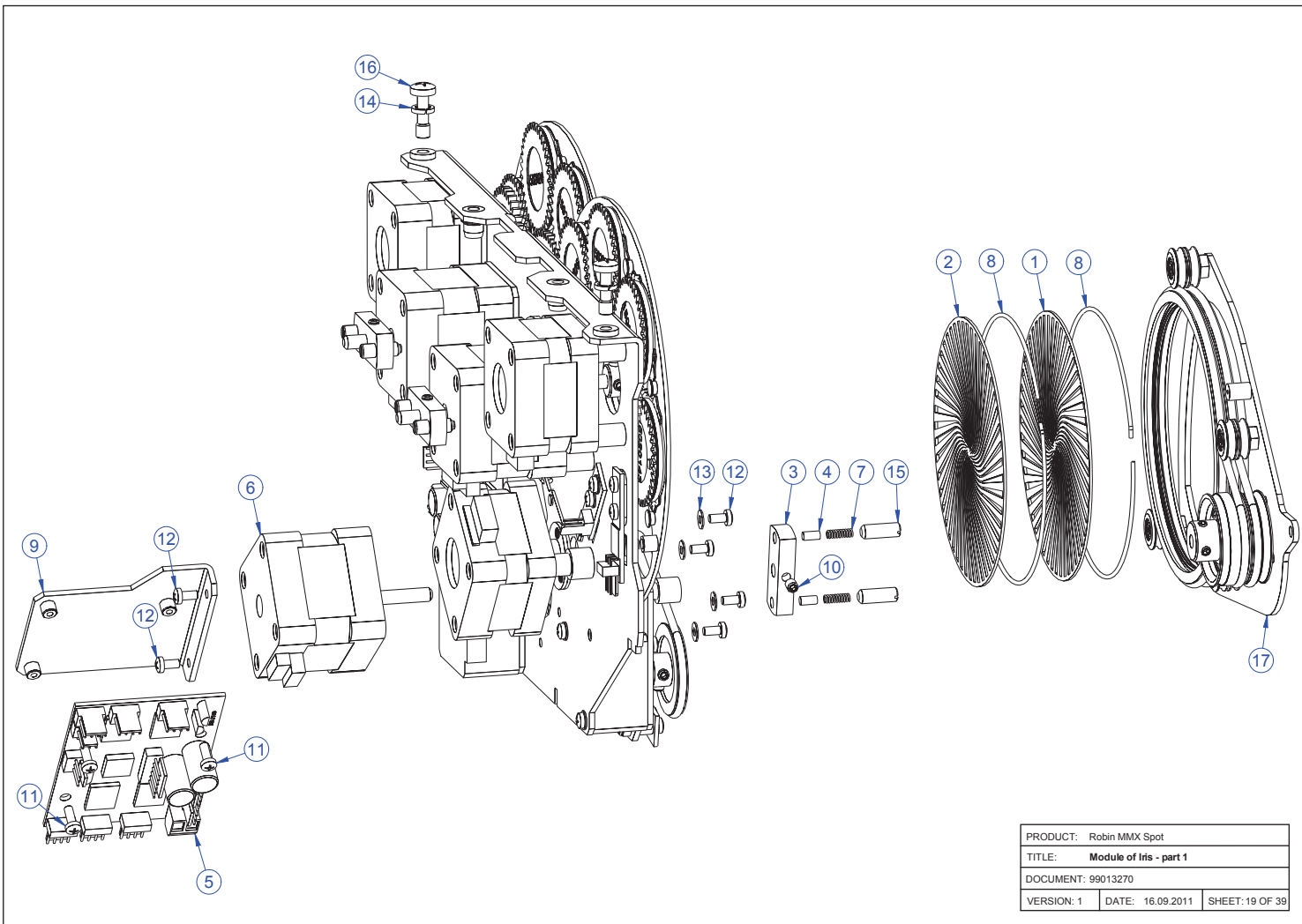
PRODUCT: Robin MMX Spot		
TITLE: Colouring module B		
DOCUMENT: 99013625		
VERSION: 1	DATE: 16.07.2013	SHEET: 16 OF 39



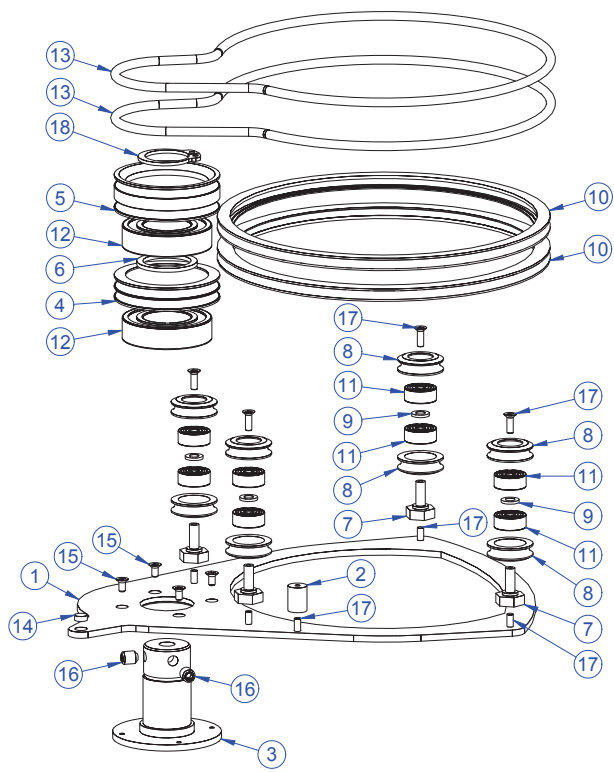
PRODUCT: Robin MMX Spot		
TITLE: Lamelle colouring B		
DOCUMENT: 99013625		
VERSION: 1	DATE: 16.07.2013	SHEET: 17 OF 39



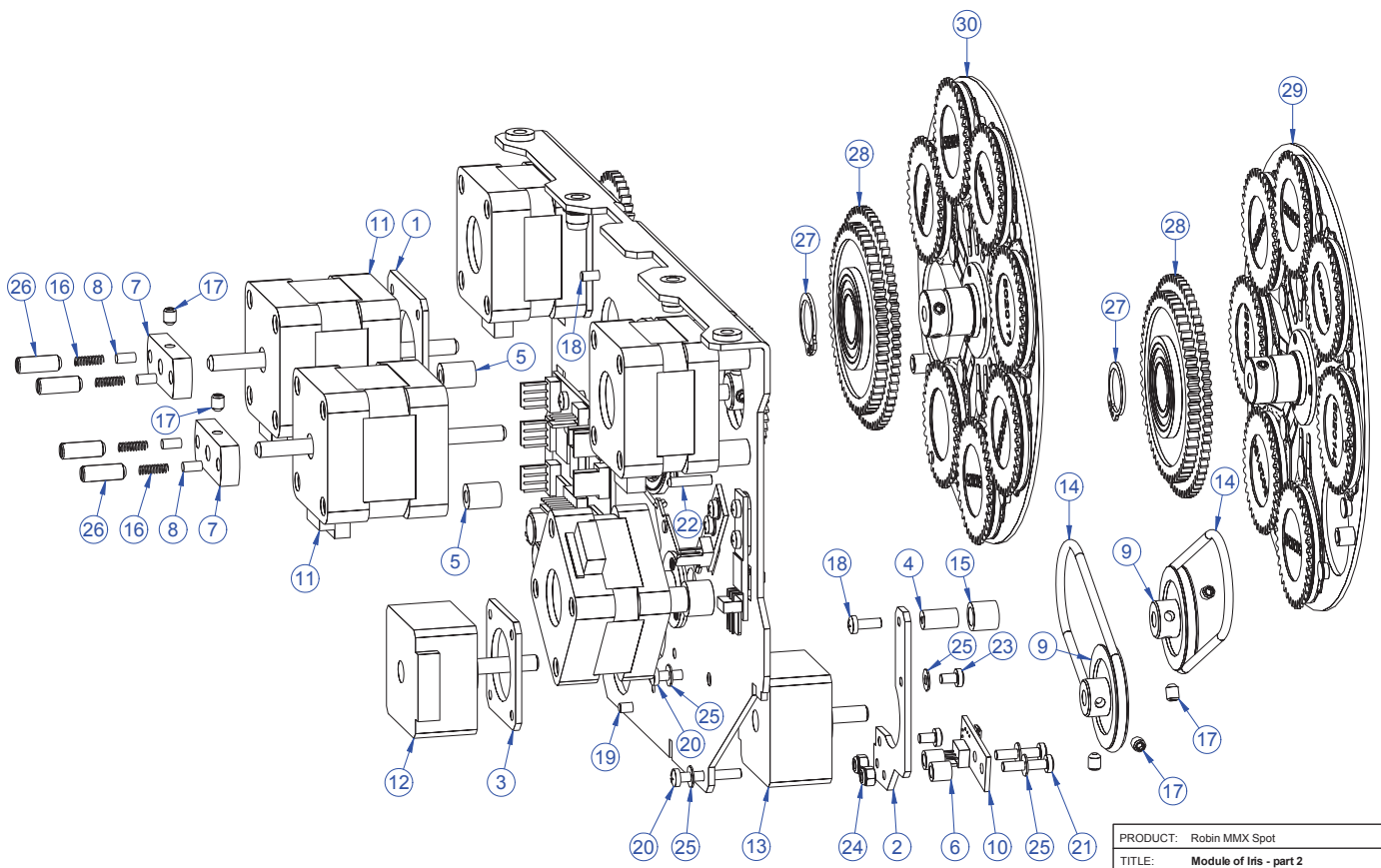
PRODUCT: Robin MMX Spot		
TITLE: Front module of head		
DOCUMENT: 99013295		
VERSION: 1	DATE: 16.07.2013	SHEET: 18 OF 39



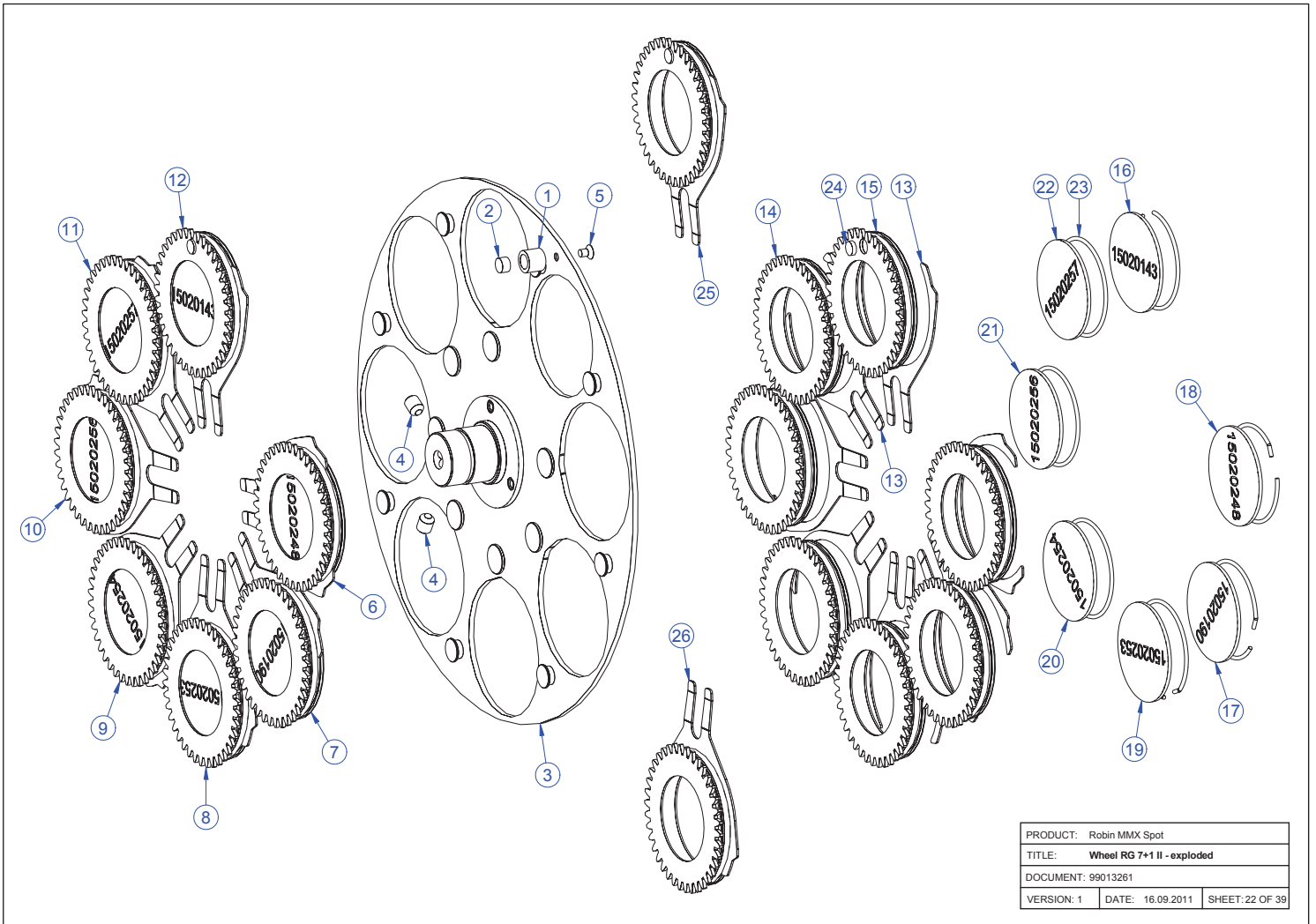
PRODUCT: Robin MMX Spot		
TITLE: Module of Iris - part 1		
DOCUMENT: 99013270		
VERSION: 1	DATE: 16.09.2011	SHEET: 19 OF 39



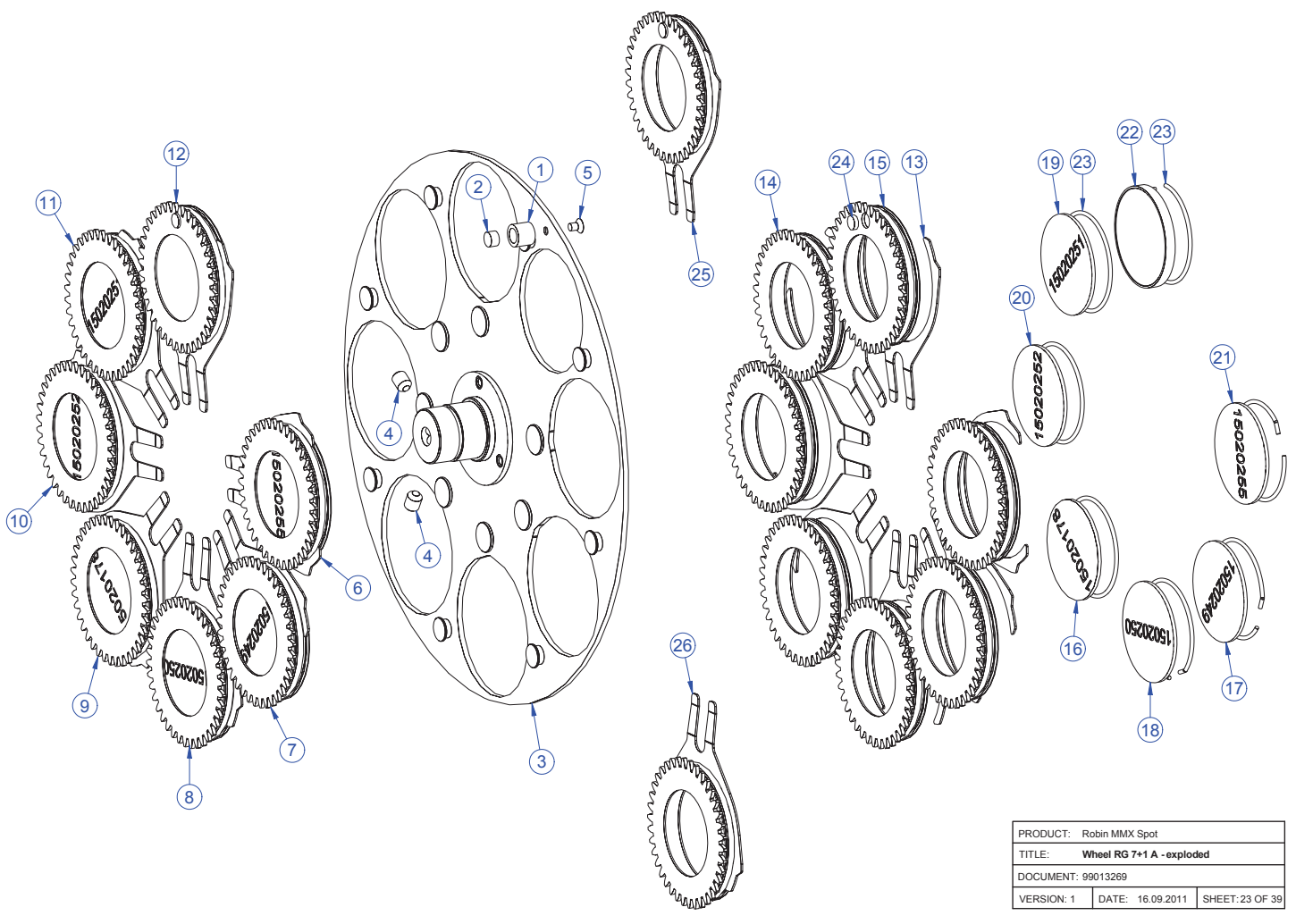
PRODUCT: Robin MMX Spot		
TITLE: Animation of assembly		
DOCUMENT: 99013252		
VERSION: 1	DATE: 16.09.2011	SHEET: 20 OF 39



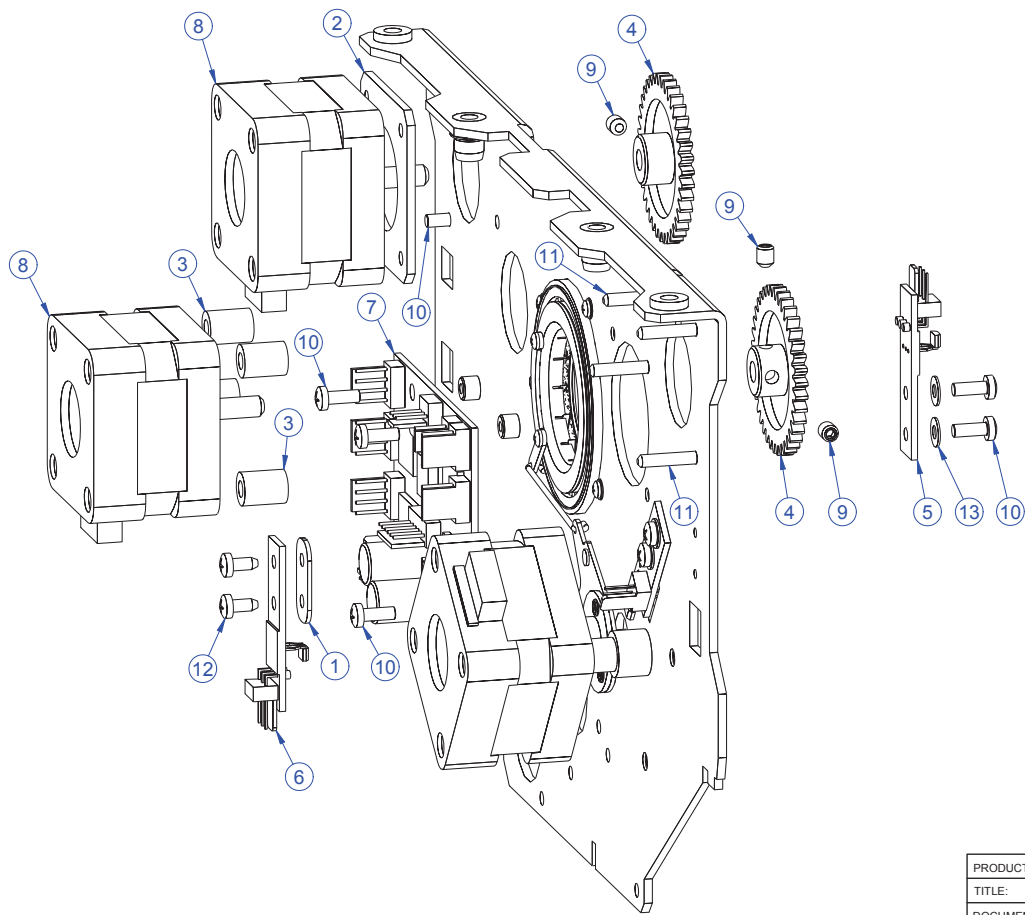
PRODUCT: Robin MMX Spot		
TITLE: Module of Iris - part 2		
DOCUMENT: 99013270		
VERSION: 1	DATE: 16.09.2011	SHEET: 21 OF 39



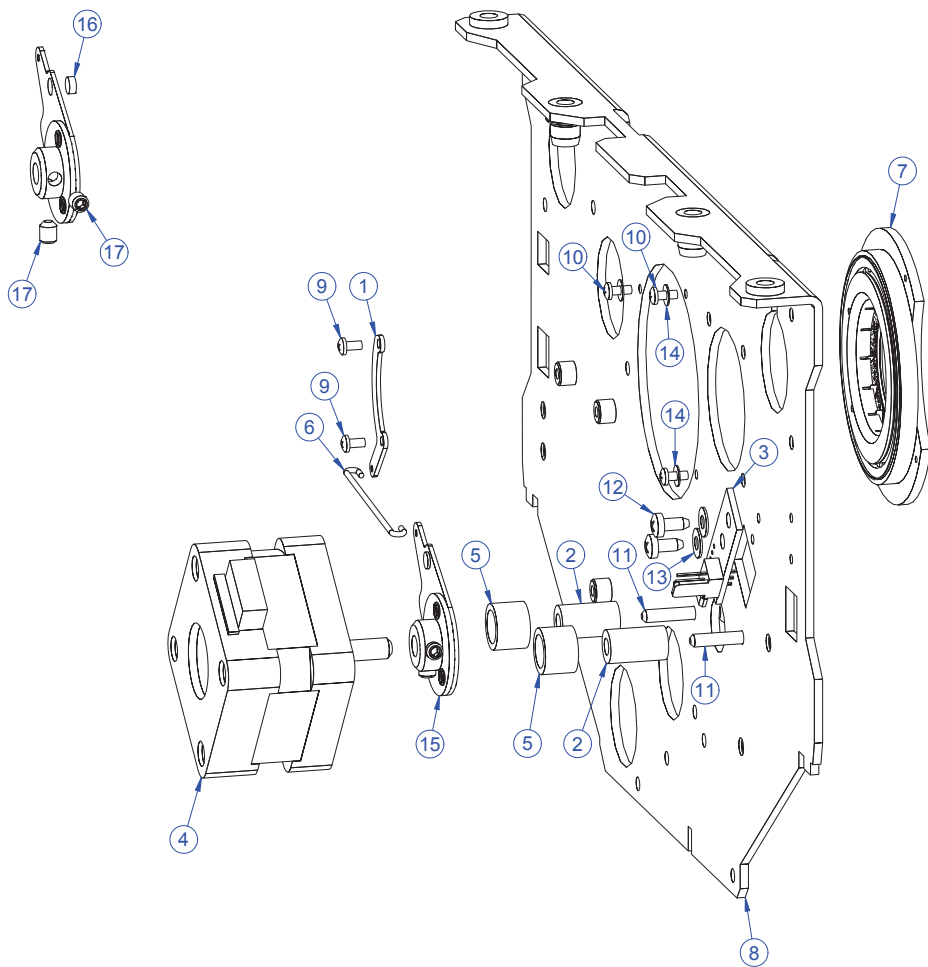
PRODUCT: Robin MMX Spot		
TITLE: Wheel RG 7+1 II - exploded		
DOCUMENT: 99013261		
VERSION: 1	DATE: 16.09.2011	SHEET: 22 OF 39



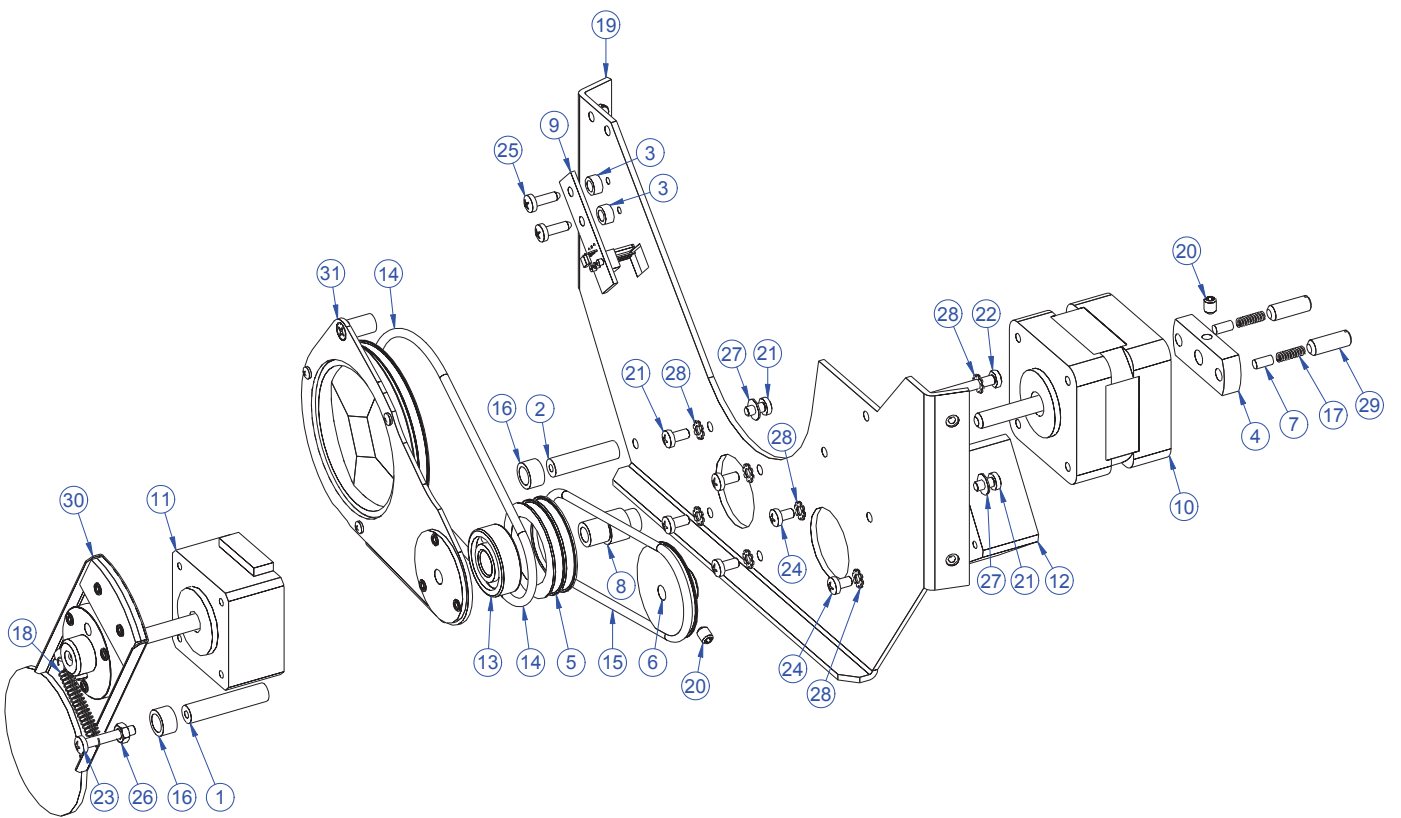
PRODUCT: Robin MMX Spot		
TITLE: Wheel RG 7+1 A - exploded		
DOCUMENT: 99013269		
VERSION: 1	DATE: 16.09.2011	SHEET: 23 OF 39



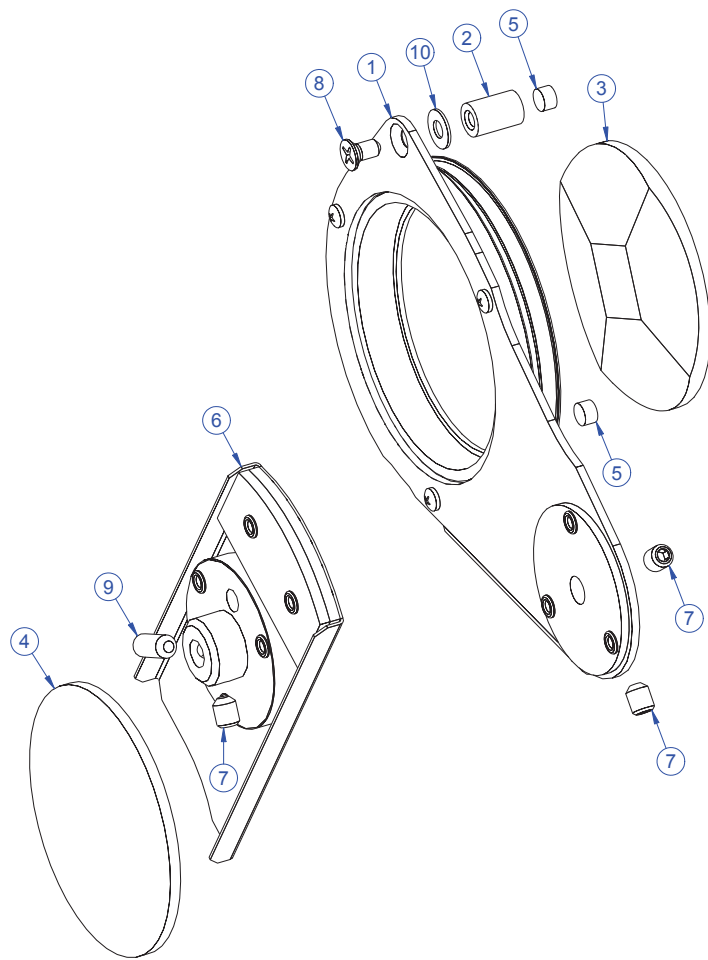
PRODUCT: Robin MMX Spot		
TITLE: Module of Iris - part 3		
DOCUMENT: 99013270		
VERSION: 1	DATE: 16.09.2011	SHEET: 24 OF 39



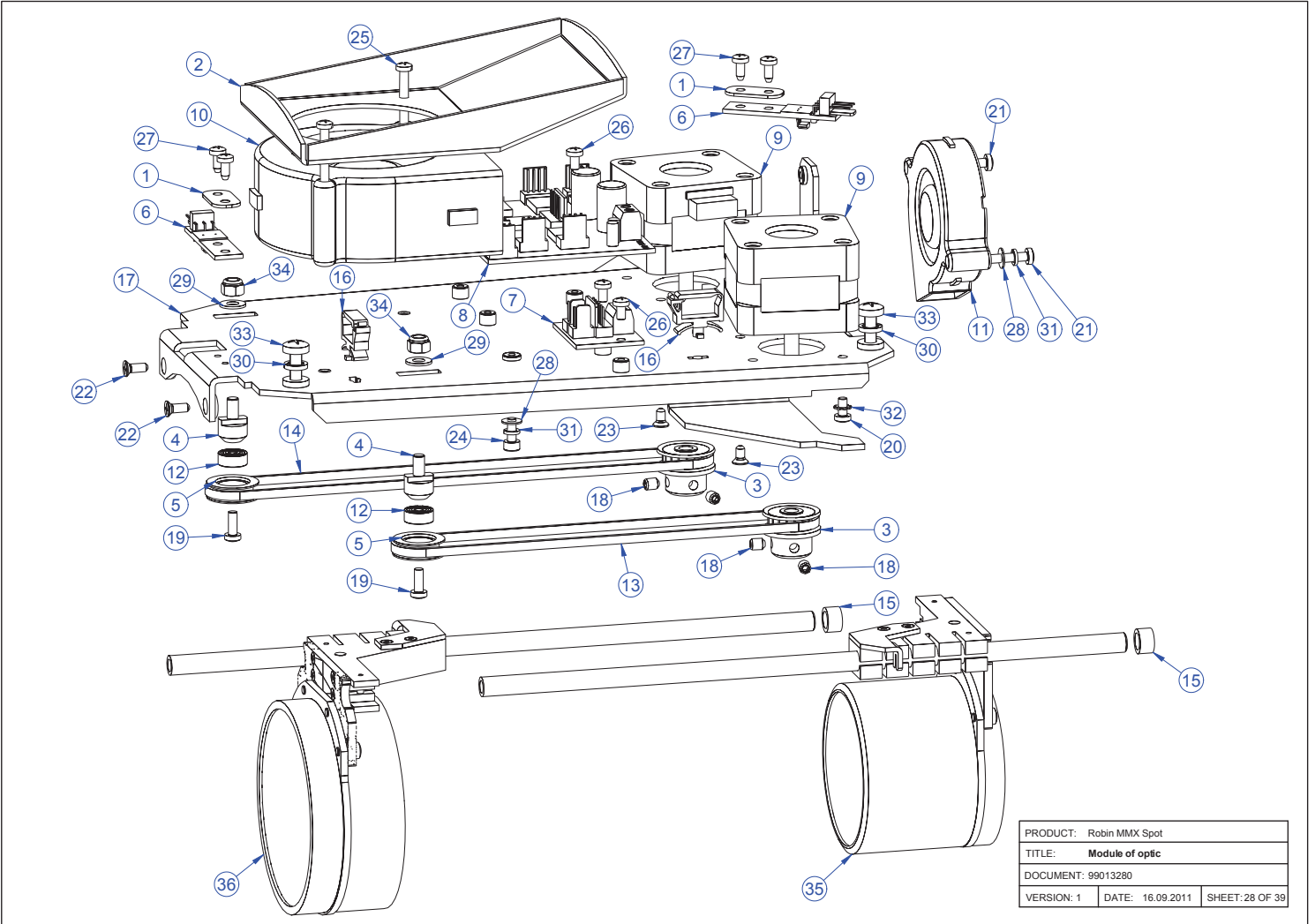
PRODUCT: Robin MMX Spot		
TITLE: Module of Iris - part 4		
DOCUMENT: 99013270		
VERSION: 1	DATE: 16.09.2011	SHEET: 25 OF 39



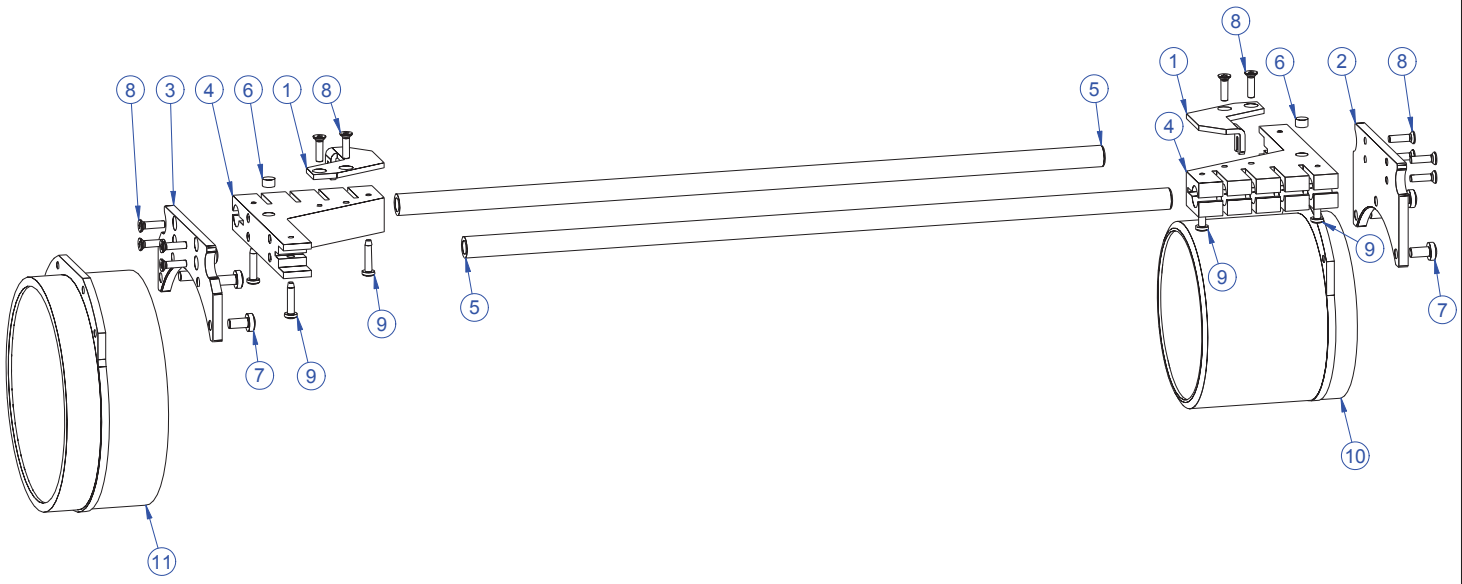
PRODUCT: Robin MMX Spot		
TITLE: Module of prism and lamelle Frost		
DOCUMENT: 99013272		
VERSION: 1	DATE: 16.07.2013	SHEET: 26 OF 39



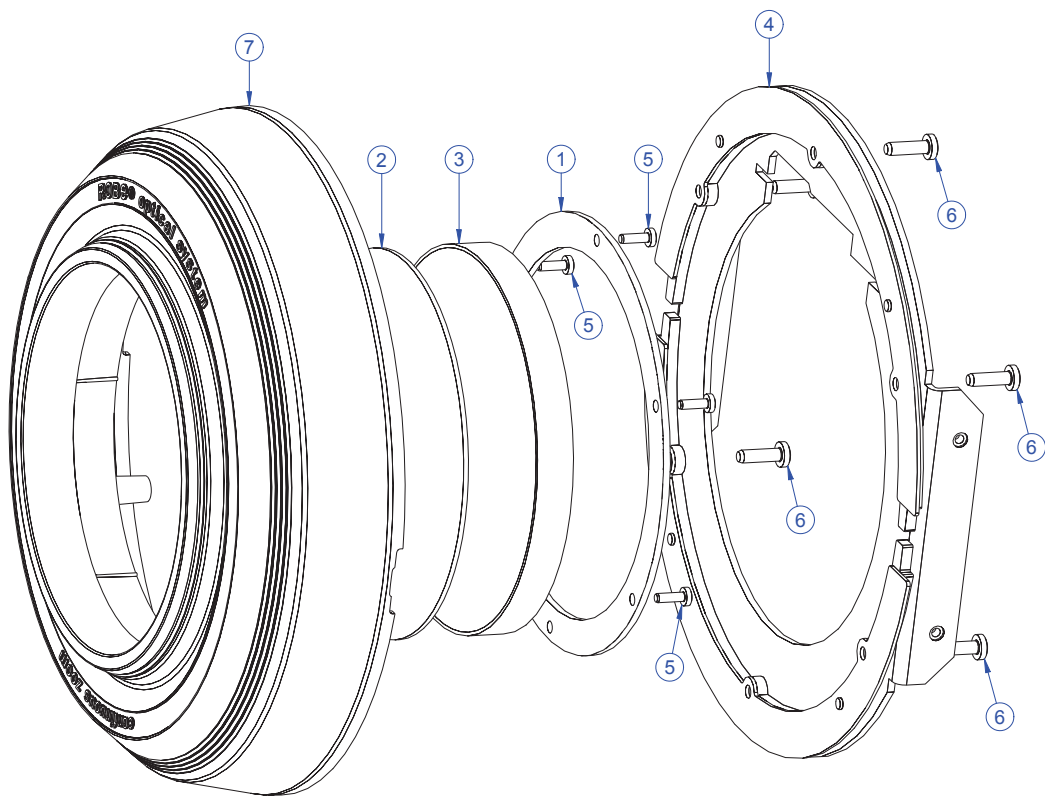
PRODUCT: Robin MMX Spot		
TITLE: Prism and lamelle Frost - exploded		
DOCUMENT: 99013272		
VERSION: 1	DATE: 16.07.2013	SHEET: 27 OF 39



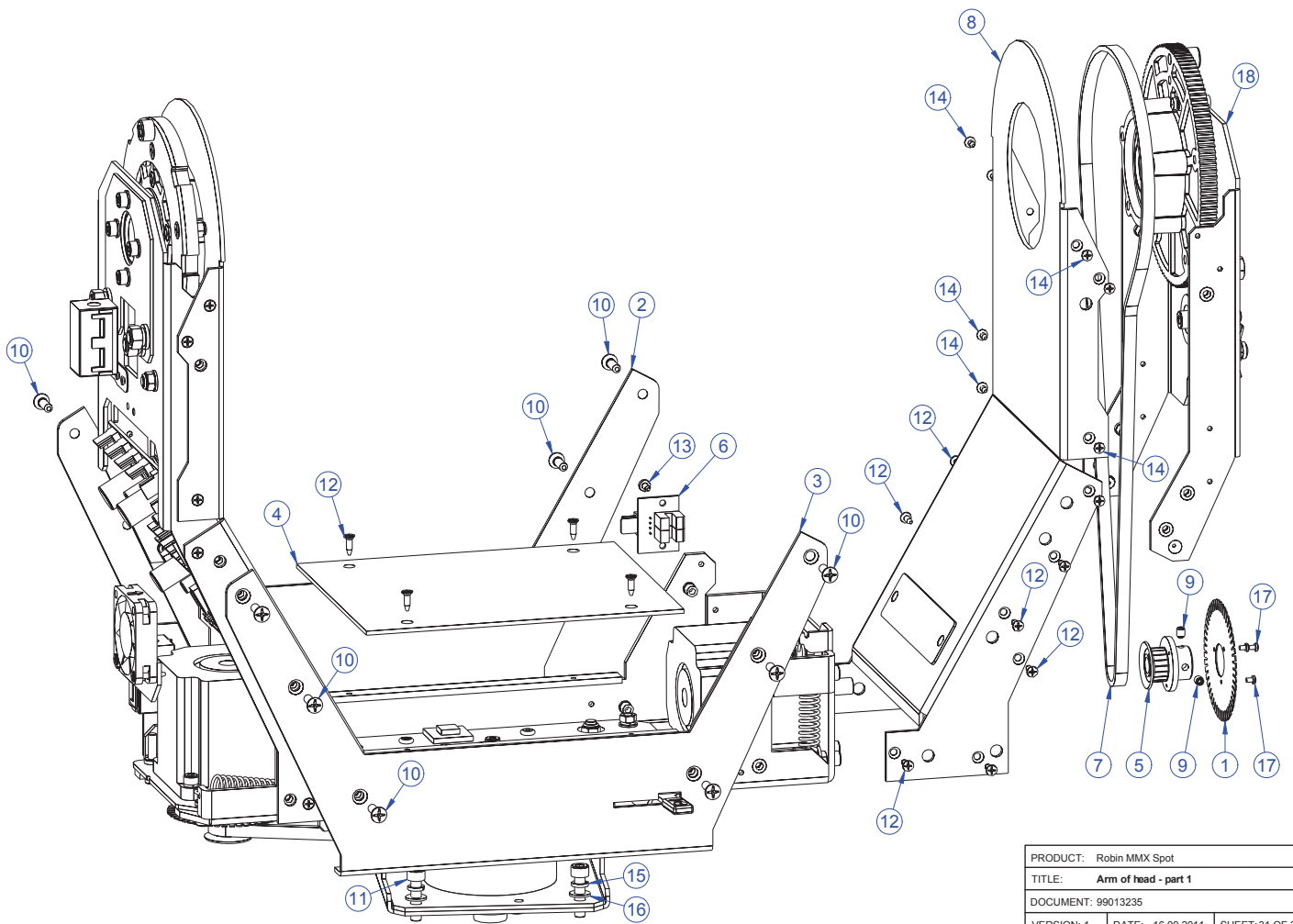
PRODUCT: Robin MMX Spot		
TITLE: Module of optic		
DOCUMENT: 99013280		
VERSION: 1	DATE: 16.09.2011	SHEET: 28 OF 39



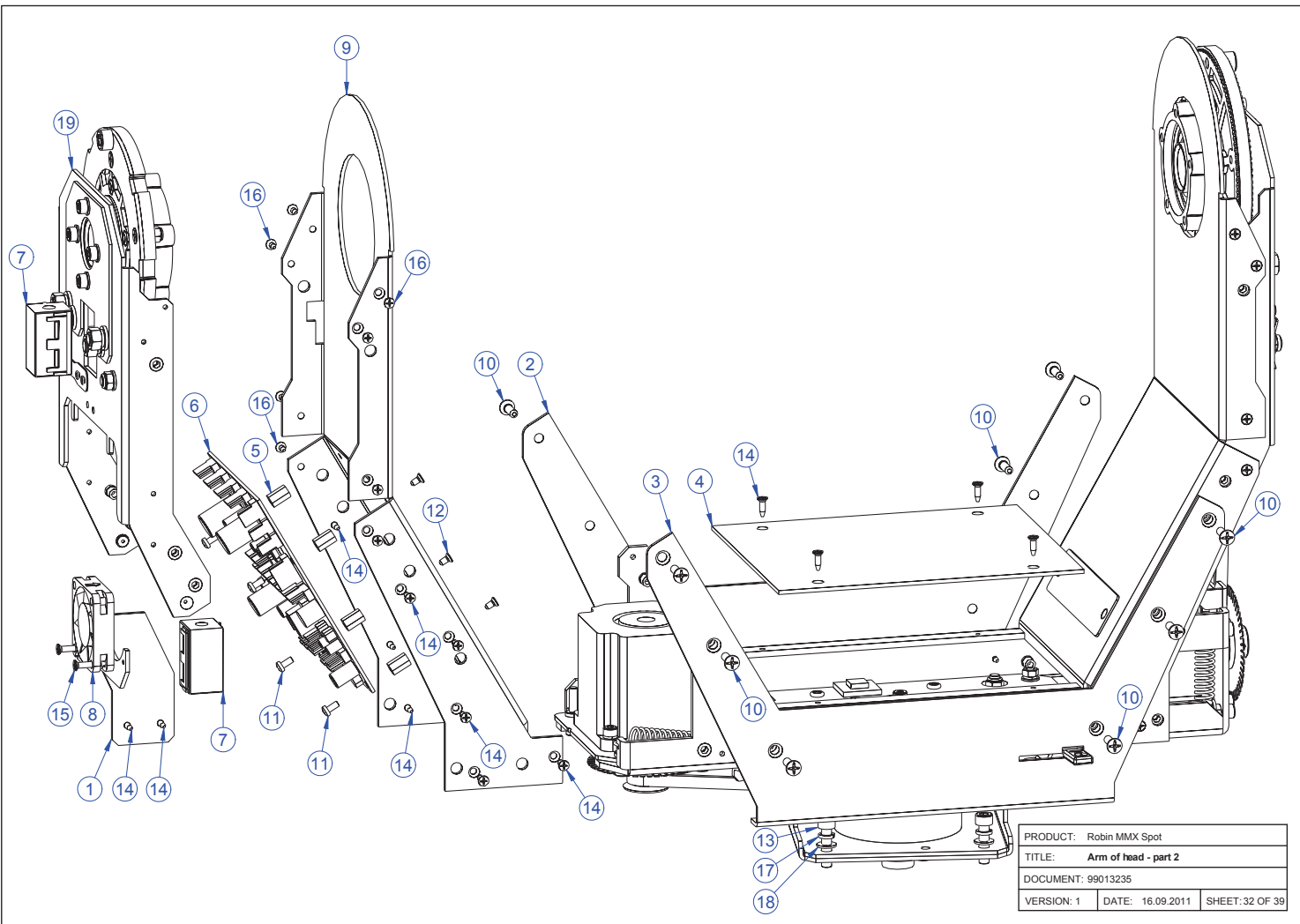
PRODUCT: Robin MMX Spot		
TITLE: Holder of Focus and Zoom		
DOCUMENT: 99013280		
VERSION: 1	DATE: 16.09.2011	SHEET: 29 OF 39

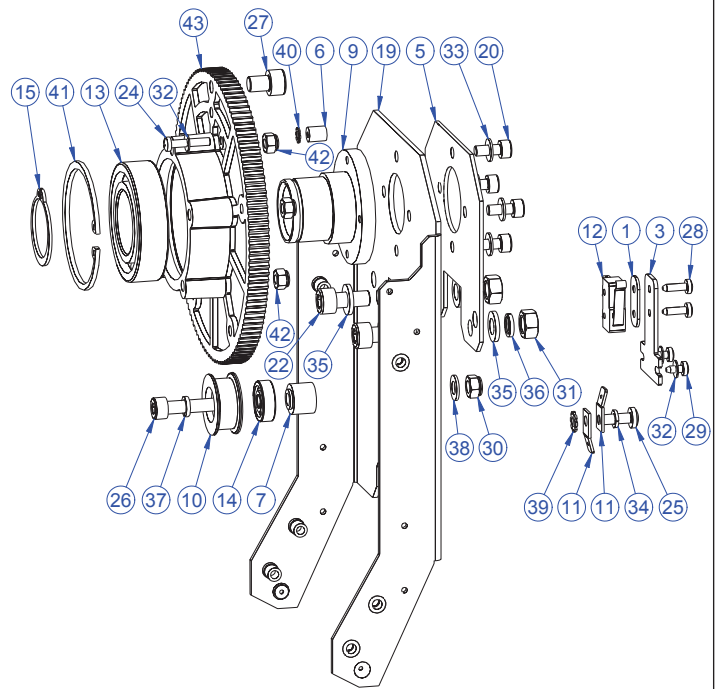
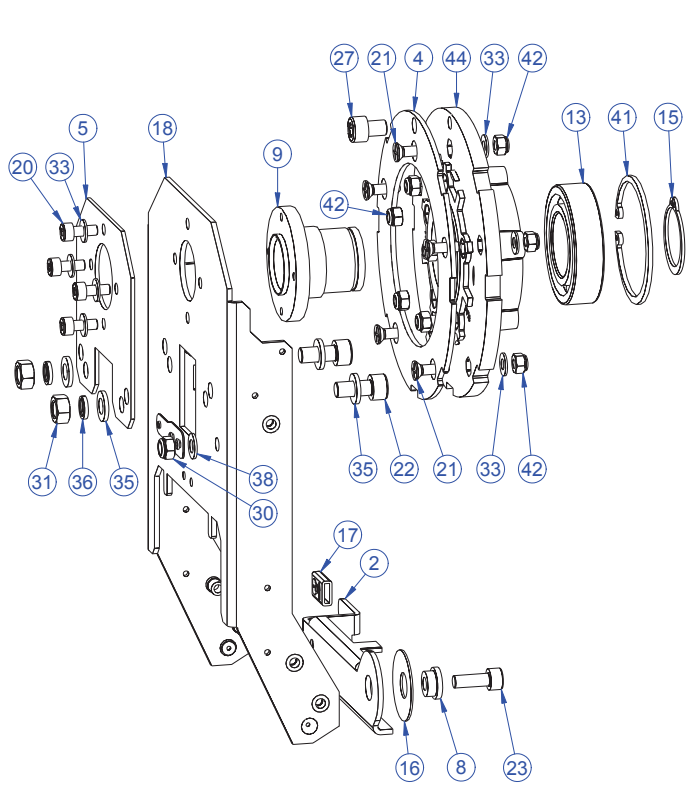


PRODUCT: Robin MMX Spot		
TITLE: Holder of objective		
DOCUMENT: 99013287		
VERSION: 1	DATE: 16.09.2011	SHEET: 30 OF 39

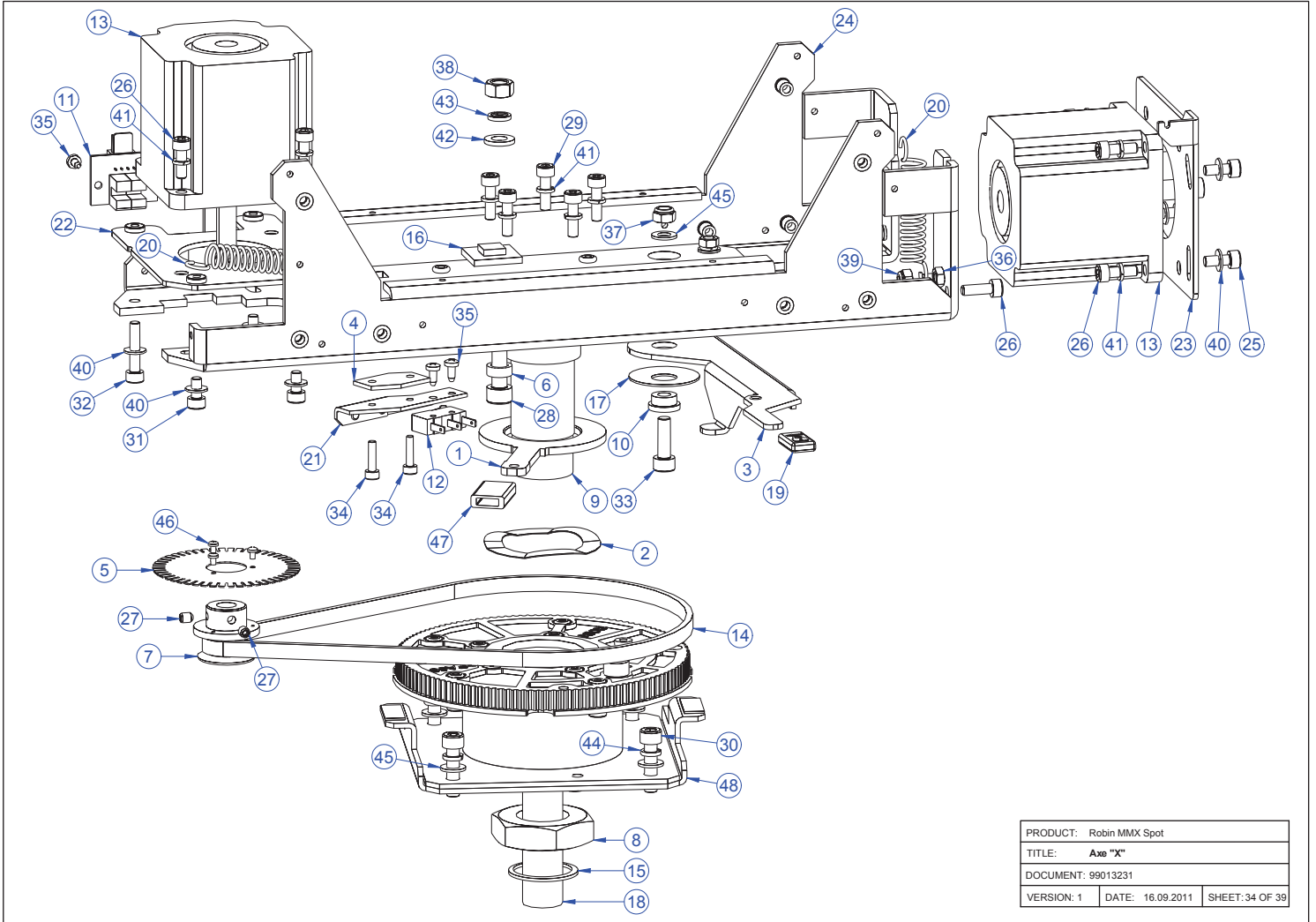


PRODUCT: Robin MMX Spot		
TITLE: Arm of head - part 1		
DOCUMENT: 99013235		
VERSION: 1	DATE: 16.09.2011	SHEET: 31 OF 39

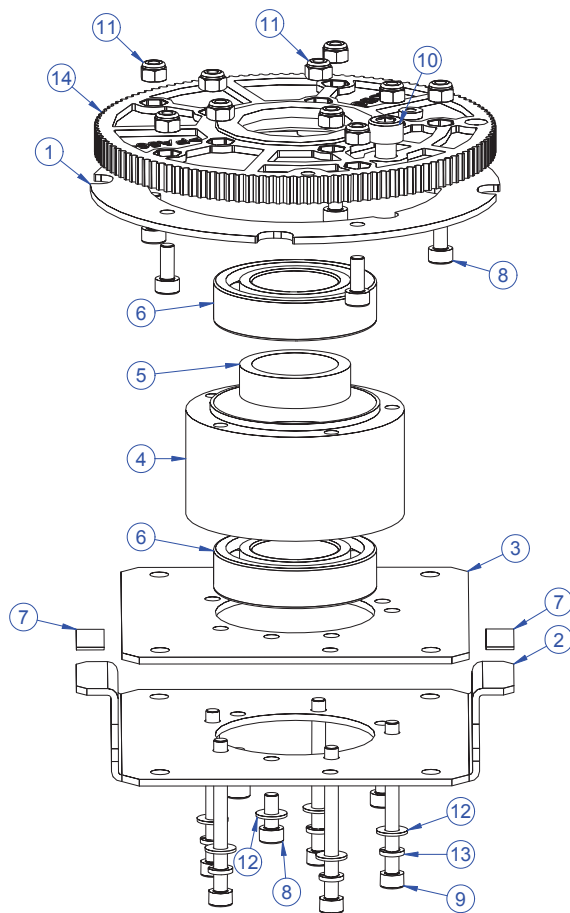




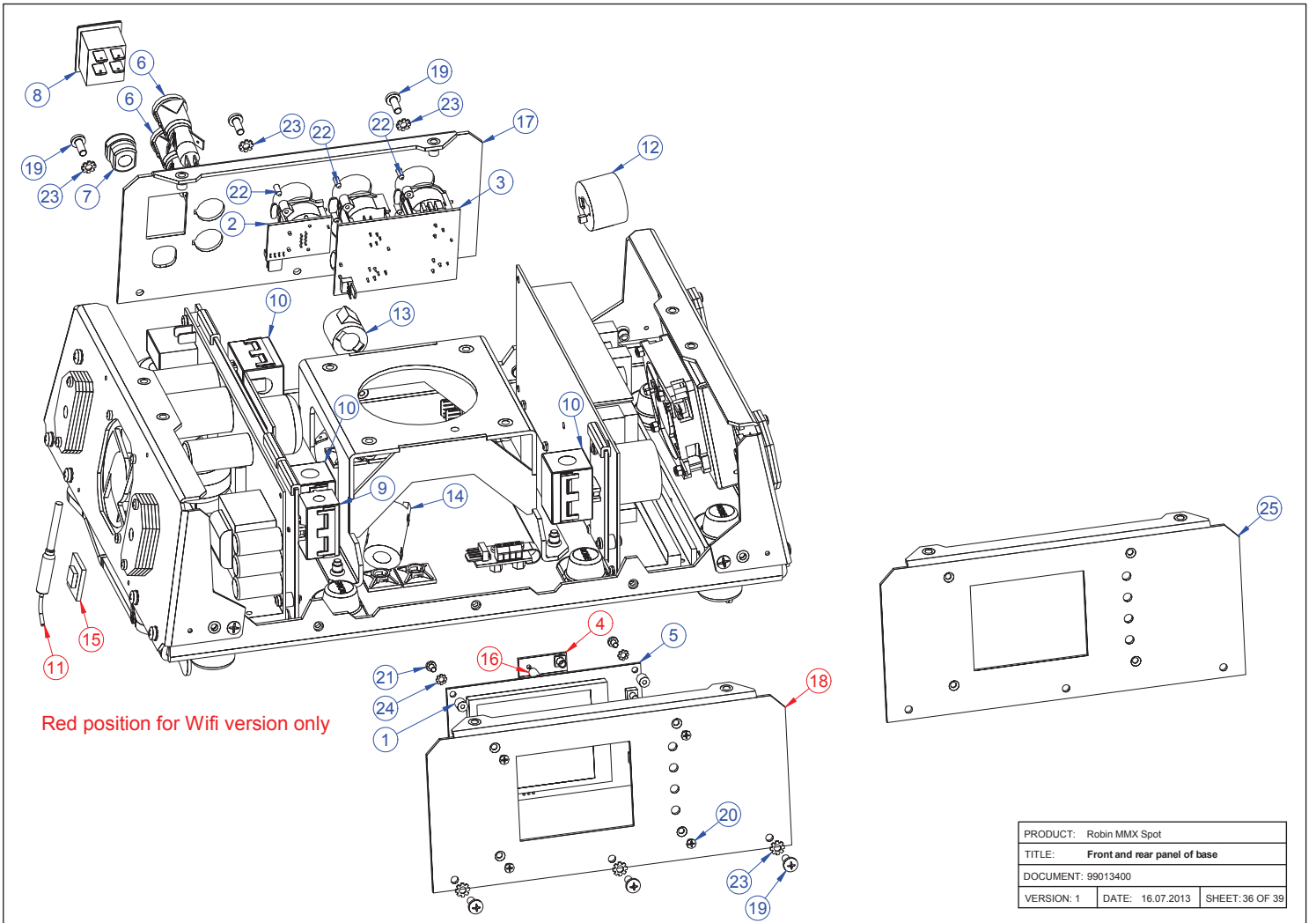
PRODUCT: Robin MMX Spot		
TITLE: Arm of axe "Y"		
DOCUMENT: 99013235		
VERSION: 1	DATE: 16.09.2011	SHEET: 33 OF 39



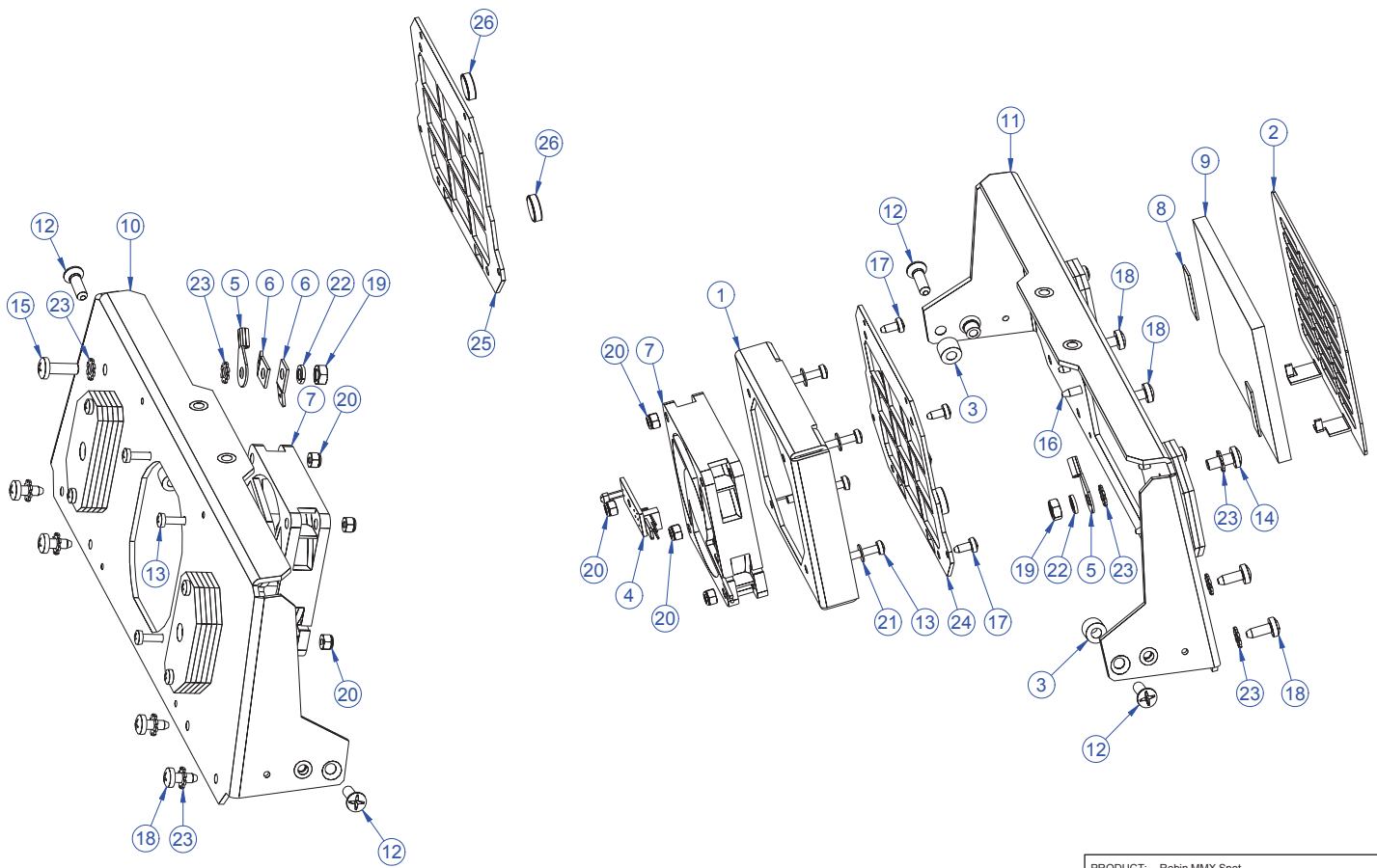
PRODUCT: Robin MMX Spot		
TITLE: Axe "X"		
DOCUMENT: 99013231		
VERSION: 1	DATE: 16.09.2011	SHEET: 34 OF 39



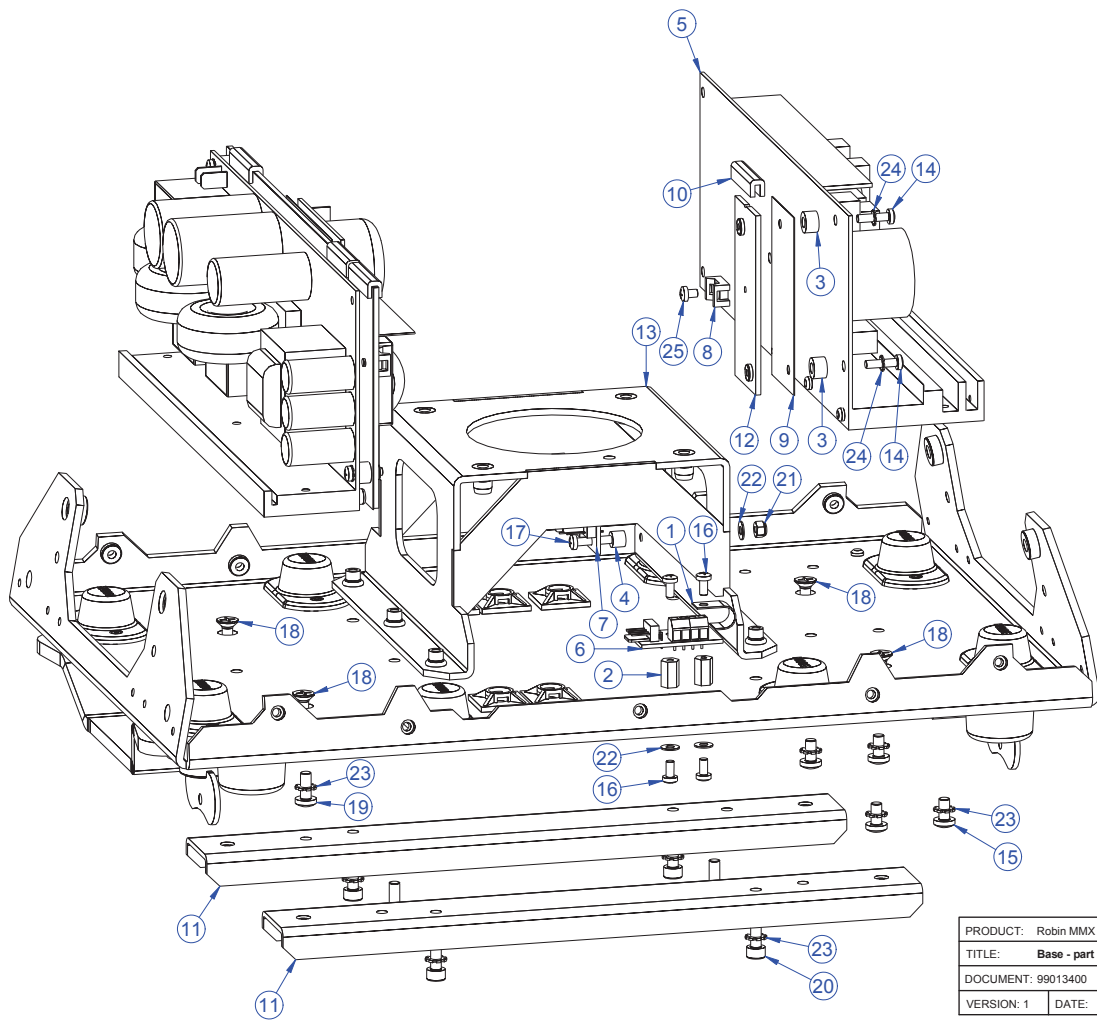
PRODUCT: Robin MMX Spot		
TITLE: Holder of toothwheel		
DOCUMENT: 99013229		
VERSION: 1	DATE: 16.09.2011	SHEET: 35 OF 39



PRODUCT: Robin MMX Spot		
TITLE: Front and rear panel of base		
DOCUMENT: 99013400		
VERSION: 1	DATE: 16.07.2013	SHEET: 36 OF 39



PRODUCT: Robin MMX Spot		
TITLE: Side panels of base		
DOCUMENT: 99013230		
VERSION: 1	DATE: 16.07.2013	SHEET: 37 OF 39



PRODUCT: Robin MMX Spot		
TITLE: Base - part 1		
DOCUMENT: 99013400		
VERSION: 1	DATE: 16.07.2013	SHEET: 38 OF 39

